

O W N E R ' S M A N U A L



 **Polaris180**

IMPORTANT INFORMATION

SERIAL NUMBER

Important Information

- Always disconnect the Polaris from the pool wall when cleaning or backwashing the pool filter.
- After cleaning or backwashing, let the filtration system run for at least five minutes before re-connecting the Polaris.
- New plumbing lines should be flushed out before installing the Polaris.
- The Polaris should not be used to remove plaster dust in new pools.
- Always remove the Polaris **before swimmers enter the pool**.
- Except when checking the wheel RPM, do not handle the Polaris while it is operating.
- Always remove the Polaris from the pool before chemical shock treatments.

For customer service or support:

- Please mail Warranty Card immediately.
- For on-line support: www.polarispool.com
- To contact Polaris:

US and Canada

Customer Service
2620 Commerce Way
Vista, CA 92081-8438
1-800-822-7933

Australia

Unit 4, 19-21 Gibbes Street,
Chatswood, NSW 2067
1-300-POLARIS
ACN 080 168 092

Europe

C/Osana s/n.
(Pol.End.El Ramassar),
98520 Les Franqueses del Vallés
Barcelona, Spain
+34 93 840 25 85

Polaris Vac-Sweep® 180 Limited Warranty

This one year limited warranty is extended to the original consumer purchaser of this Polaris Vac-Sweep 180 Automatic Pool Cleaner manufactured by Polaris Pool Systems, Inc., from date of manufacture of the unit as established by the serial number, or one year from date of purchase with proof of purchase, whichever is later. Polaris warrants this product, including all parts and components thereof, to be free of defects in material and workmanship. Normal replacement items such as bags, tires, sweep hoses or sweep hose scrubbers which have been worn out by use or improper installation are not covered by this warranty.

This limited warranty does not apply if the failure is caused or contributed to by any of the following: improper handling, improper usage, improper storage, winter freezing, abuse, improper installation, removal of the UWF filter screen, unsuitable application of the unit, improper maintenance, lack of reasonable and necessary maintenance, damage in transit or during installation, or damage from repairs/alterations made or attempted by anyone other than Polaris or one of its Authorized Service Centers. In no event shall Polaris be liable for incidental or consequential damages of any nature or for damages to persons or property, including damage to vinyl liners, plaster, tile, aggregate-based and other pool surfaces, or damages resulting from the use of this product with a substandard pool circulation system or chemical imbalance.

Authorization to return a unit or part to the plant of manufacture must be obtained from the Polaris Customer Service Department. Check with your dealer for the local procedure before exercising this warranty. If further directions or instructions should be required, contact the Customer Service Department at 1-800-VAC-SWEEP (USA and Canada only) or (760) 599-9600. Be sure to insure the shipment against loss or damage in transit.

This limited warranty is valid only in the United States of America, Canada and Australia, and it does not apply to Polaris Vac-Sweep 180 Automatic Swimming Pool Cleaners sold or installed in any other country. Polaris Vac-Sweep 180 Automatic Pool Cleaners sold in the United Kingdom are warranted for a period of two years from date of invoicing to the first user.

WARNING: USE OF POLARIS 180 IN A VINYL LINER POOL

Certain vinyl liner patterns are particularly susceptible to rapid surface wear or pattern removal caused by objects coming into contact with the vinyl surface, including pool brushes, pool toys, floats, fountains, chlorine dispensers, and automatic pool cleaners. Some vinyl liner patterns can be seriously scratched or abraded simply by rubbing the surface with a pool brush. Ink from the pattern can also rub off during the installation process or when it comes into contact with objects in the pool. Polaris is not responsible for, and the Limited Warranty does not cover, pattern removal, abrasion or markings on vinyl liners.

U.S. Patents: 4,618,420. Unique product shape is a registered trademark.

Introduction

Congratulations on the purchase of your new automatic pool cleaner, and thank you for choosing Polaris. The Polaris Vac-Sweep 180 is designed to give you years of dependable and efficient service.

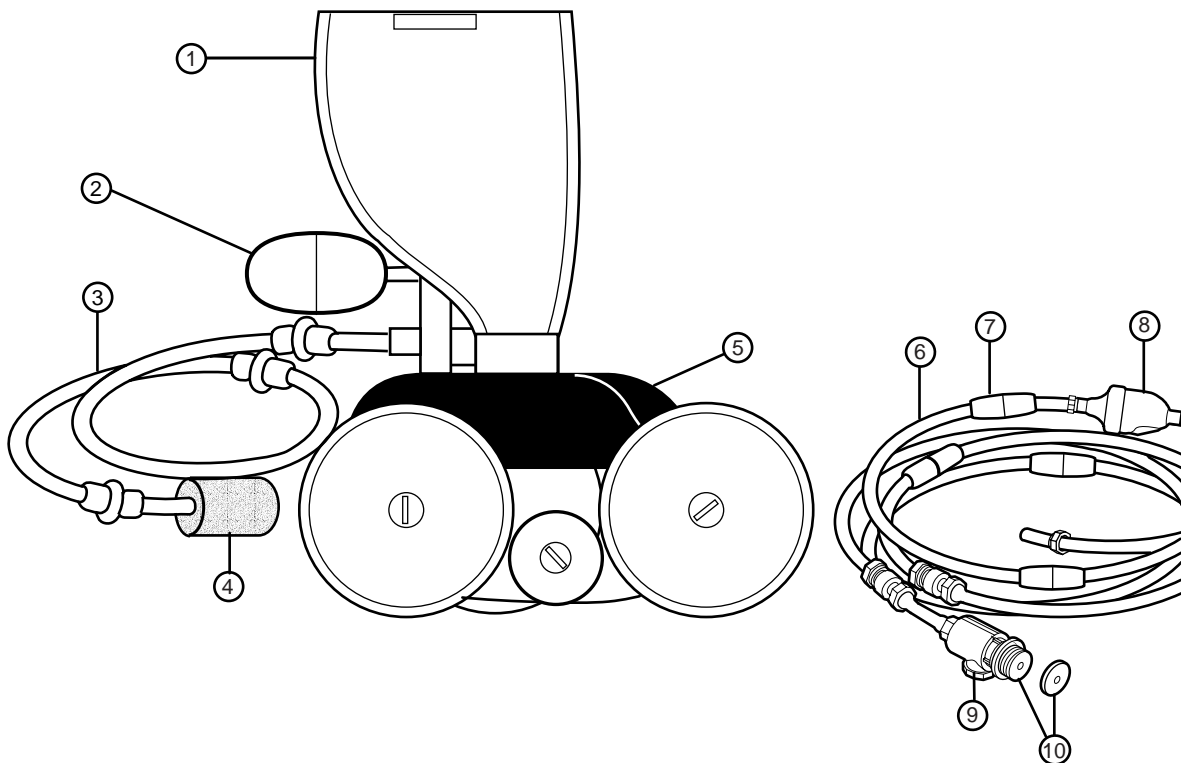
Like most mechanical devices, it will require periodic adjustments, routine maintenance, and the replacement of certain hardworking parts. Please have your cleaner checked occasionally by your local Polaris dealer or authorized service center.

Always insist on genuine Polaris replacement parts. Non-Polaris parts are not made to our specifications. They may have an adverse effect on the operation of your Polaris or may even damage it.

For best results, the Polaris 180 should be installed by a pool professional. For those with experience and confidence in handling plumbing and mechanical equipment, installation is outlined in this manual.

Polaris 180 Complete Cleaner

- | | |
|------------------------|--|
| 1. All Purpose Bag | 7. Hose Floats |
| 2. Head Float | 8. Back-up Valve |
| 3. Sweep Hose | 9. Quick Disconnect with
Universal Wall Fitting (UWF) |
| 4. Sweep Hose Scrubber | 10. Restrictor Discs (one red and one blue) |
| 5. Cleaner Body | |
| 6. Feed Hose | |



Quick Installation Instructions

Four quick steps to install and get maximum performance from the Polaris 180:

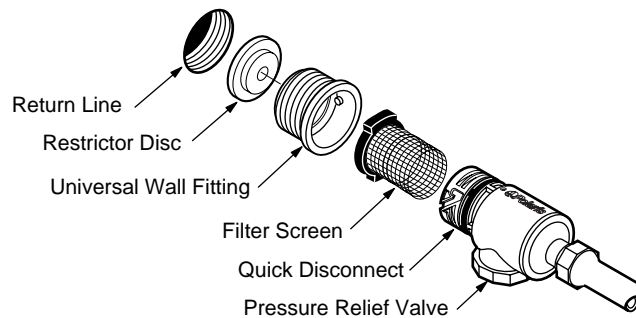
- Install the Universal Wall Fitting (UWF) with Quick Disconnect
- Adjust feed hose to fit pool length
- Assemble the cleaner
- Check for proper wheel RPM (revolutions per minute)

1

Install the Universal Wall Fitting

Installs in minutes on pools with a dedicated cleaner return line and a threaded 1-1/2" female pipe fitting.

1. Turn on the filtration pump and flush out the plumbing line. Turn pump off.
2. Remove the UWF from the Quick Disconnect and screw the UWF with the blue restrictor disc into the return opening.
3. Turn the Quick Disconnect clockwise into the UWF and pull away to secure.



2

Adjust Feed Hose To Fit Pool Length

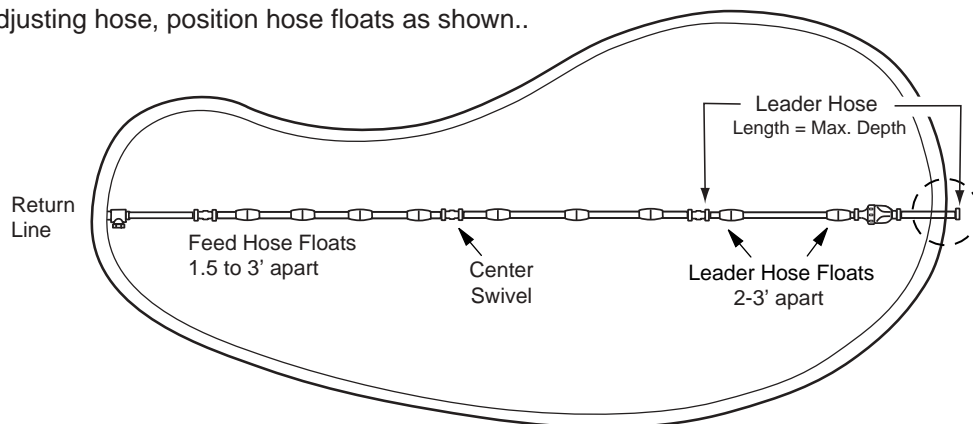
Measure the deepest part of the pool. Cut leader hose, from end that attaches to feed hose, so length is equal to the greatest depth of the pool.

Attach leader hose to feed hose and connect hose to the pool wall at the return line. Extend hose to farthest point of pool. The hose end must be within 6" – longer or shorter – of the farthest point. See dotted circle.

Hose too long? Separate hose at center swivel. Cut equal amounts of the overage from each 10-foot feed hose section.

Hose too short? Buy an additional feed hose section (part #9-100-3104), one swivel (part #D20) and two hose nuts (part #D15) from an authorized Polaris dealer.

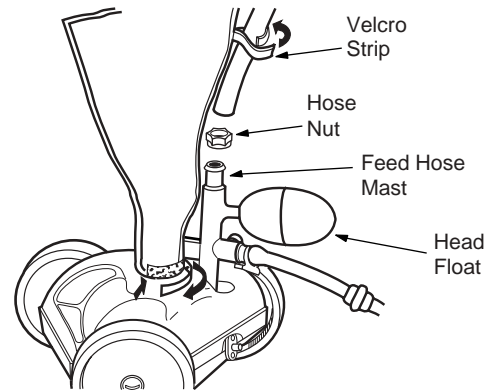
After adjusting hose, position hose floats as shown..



3

Assemble the Cleaner

1. Use the nut to attach the feed hose to the feed hose mast (feed pipe).
2. Pull out the bag and attach the Velcro strip loosely around the feed hose.
3. Position the head float 1/2 to 1 inch back from feed pipe.
3. Turn on the pool filtration pump and allow it to prime before turning on the booster pump.

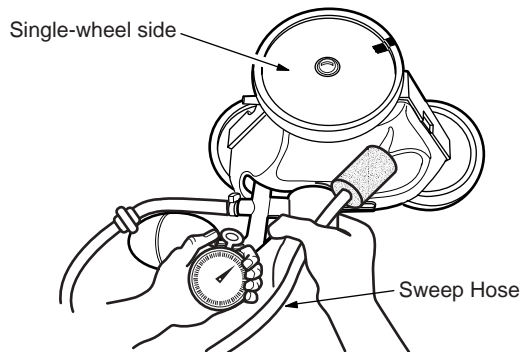


4

Check for Proper RPM

Before operating the Polaris, check for proper wheel revolutions per minute (RPM). For maximum efficiency, the Polaris should operate **between 28 and 32 RPM**.

1. Mark the single-wheel side tire.
2. Turn pump on, hold cleaner below water level and count wheel revolutions for 1 minute.
3. Optimum speed should be **between 28 and 32 RPM**.



If count is **less than 28 RPM**:

- Check the filter screen in the Quick Disconnect for debris that restricts water flow.
- Clean the skimmer, filter and pump basket, clearing debris that restricts water flow.
- Check the hoses, connections and swivels for leaks that cause loss of water pressure.
- Remove the blue restrictor disc from the UWF.
- If an adjustable gate valve is installed on the booster pump or cleaner line, open it completely so water can flow freely to the Polaris.

If count is **more than 32 RPM**:

- Unscrew the pressure relief valve until the proper RPM is reached.
- If an adjustable gate valve is installed, adjust it to reduce the water flow to the cleaner.
- Replace the blue restrictor disc in the UWF with the red restrictor.

Fine Tuning The Polaris Cleaner

When operating correctly, the Polaris 180 vacuums, sweeps and scrubs all surfaces randomly throughout the pool. The climbing ability of the Polaris depends on the pool's shape and water pressure or flow. The Polaris climbs best in pools without sharp angles or curves in the transition from the pool floor to the pool wall.

Approximately every 3 minutes the Polaris 180 goes into back-up mode. This action pulls the Polaris away from pool obstacles and increases its random pattern.

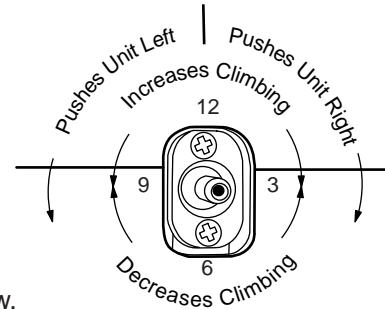
Thrust Jet Adjustment

The thrust jet powers the direction of the Polaris. Factory position is straight back, but depending on the pool, other settings are helpful.

Sweep Hose Adjustment

The sweep hose should move in a gentle sweeping motion. To increase or decrease its motion, turn off the booster pump and turn the sweep hose adjustment screw.

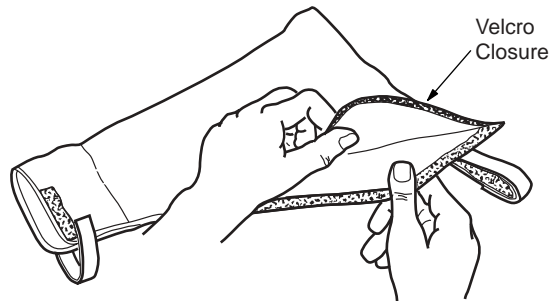
See Troubleshooting for other action adjustments.



Routine Maintenance

Cleaning the Filter Bag

Remove the bag from the cleaner. Open the bag closure and dump out the debris.



- ➔ Whenever possible, empty the filter bag when it is half full, especially if the dirt load is sand.
- ➔ It is easier to empty the filter bag when it is dry. Alternate between two filter bags. When one becomes full, remove it and put on the clean bag.

Backwashing the Pool Filter

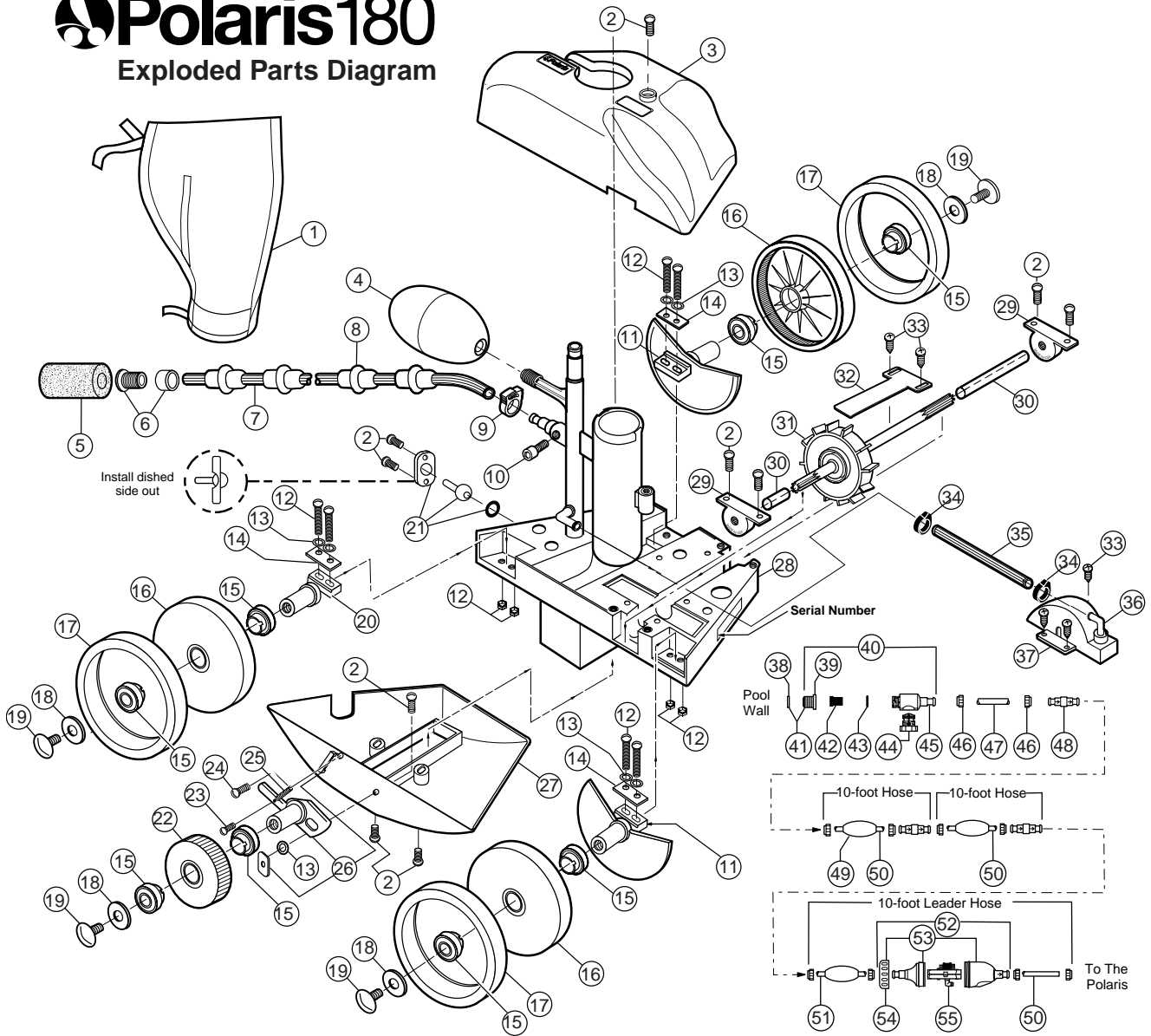
Always disconnect the Polaris from the pool wall before cleaning or backwashing the pool filter. After cleaning or backwashing, let the filtration system run for at least five minutes to flush out the return lines before re-connecting the Polaris.

Storage and Winterizing

Never store the Polaris in direct sunlight. When storing for the winter, drain out all the water (freeze damage is not covered under the warranty). Remove the UWF from the pool wall by attaching the Quick Disconnect and using pulling pressure to unscrew. In some cases, it may be necessary to use the UWF Removal Tool (part #10-102-00) available from an authorized Polaris dealer.

Polaris 180

Exploded Parts Diagram



No.	Part	#Description	Qty	No.	Part	#Description	Qty	No.	Part	#Description	Qty
1	A16	All-Purpose Bag*	1	18	C64	Wheel Washer, Plastic	4	37	C110	Turbine Cover with Elbow	1
2	C40	Screw, 10-32 x 3/8" SS Pan Head	10	19	C55	Wheel Screw, Plastic	4	38	10-112-00	Restrictor Disks, Red and Blue	1
3	A5	Top	1	20	C65	Axle, Large (Rear Wheel Only)	1	39	6-500-00	Universal Wall Fitting (UWF)	1
4	A20	Float, Head	1	21	C131	Thrust Jet Kit	1	40	9-100-9001	UWF Connector Assembly	1
5	9-100-3105	Sweep Hose Scrubber*	1	22	C16	Idle Wheel, Small	1	41	10-108-00	UWF Restrictor Kit	1
6	B25	Orifice Tip w/Orifice Tip Guard	1	23	C30	Screw, 4-40 x 3/16" SS Pan Head	1	42	6-504-00	Filter Screen, UWF/QD	1
7	B5	Sweep Hose Complete*	1	24	C32	Screw, 6-32 x 1/2" SS Pan Head	1	43	6-505-00	O-ring, UWF/QD	1
8	B10	Wear Rings*	8	25	C25	Spring for C-36	1	44	9-100-9002	Pressure Relief Valve, Black	1
9	B15	Sweep Hose Attach Clamp	1	26	C36	Swing Axle Kit	1	45	D29	Quick Disconnect (QD), UWF	1
10	B20	Adjustment Screw, Sweep Hose	1	27	A10	Base with Bracket	1	46	D15	Nut, Feed Hose	10
11	C66	Axle, Large (with Sand/Gravel Guard)	2	28	C145	Frame	1	47	**	Adapter Hose, 8-1/2"	1
12	C75	Screw/Nut, 10-32 x 7/8" SS Pan Head	6	29	C80	Ball Bearings, Turbine	2	48	D20	Swivel, Ball Bearing	3
13	C45	Lock Washer for C36	7	30	C83	Turbine Shaft Tubes	1	49	D10	Float, Feed Hose	9
14	C70	Axle Plate for C65/C66	3	31	C86	Drive Shaft Assembly	1	50	D45	Feed Hose, 10 Ft	2
15	C60	Ball Bearings, Wheels	8	32	A40	Turbine Shaft Shield	1	51	D50	Feed Hose, Leader, 10 Ft	1
16	C6	Wheel, Large (No Bearings Incl.)	3	33	A30	Screw, #10 x 1/2" SS Pan Head	5	52	G52	Back-up Valve Kit	1
17	C10	Tire, MaxTrax**	3	34	9-100-7170	Hose Clamp for WMS	2	53	G54	Case Kit for G52	1
				35	C120	Hose for C110, 7-1/2"	1	54	G57	Collar, Back-up Valve	1
				36	C115	Elbow for C110 or Feed Mast Tube	2	55	G53	Mechanism for G52	1

*Wear items not covered by warranty.

Troubleshooting

If the Polaris cleaner displays the following actions, adjustments may be necessary to restore performance. Refer to exploded parts diagram for part numbers indicated in parentheses.

Action: Hangs up on steps or other obstacles for longer than 3 minutes.

- Solution:
1. Check the wheel RPM.
 2. Verify the back-up valve (#52) is cycling.
 3. Adjust the thrust jet (#21).
 4. Remove unnecessary pool hardware or install a Ladder Guard Kit (order part #G21 from a Polaris dealer).

Action: Polaris is sluggish, running with less power than normal.

- Solution:
1. Check the filter screen (#42) in the Quick Disconnect (#45) and clean, if necessary.
 2. Clean the skimmer basket, pump basket, and pool filter.
 3. Check all of the hoses, connections, and swivels (#48) for leaks that could cause loss of water pressure.
 4. Check the wheel RPM.

Action: Polaris flies around the pool and/or does not make contact with the bottom.

- Solution:
1. Check the wheel RPM. If more than 32 RPM, unscrew the pressure relief valve (#44) to decrease water flow to cleaner.
 2. Confirm that the blue restrictor disc is installed in the UWF to decrease water flow. Or, install the red restrictor disc to decrease water flow even more.

3. Verify the back-up valve (#52) is cycling. Hold the valve out of the water and watch the jet. It should come on and go off.

Action: Polaris does not back up.

- Solution:
1. Verify the back-up valve (#52) is cycling.
 2. Check the wheel RPM.
 3. If the bag (#1) is full, empty it.
 4. If head float (#4) has water in it, replace it.
 5. Make sure feed hose is floating.

Action: Polaris only turns in one direction.

- Solution:
1. Adjust the thrust jet (#21).
 2. Make sure feed hose is floating.

Action: Feed hose becomes tangled.

- Solution:
1. Remeasure the hose to verify that it is adjusted to the proper length for the pool shape.
 2. With the Polaris operating, check that the swivels (#48) in the hose and the hose connections turn freely.
 3. Make sure feed hose is floating.
 4. With the Polaris turned off, spin each of the wheels. All wheels should turn together.

Action: Sweep hose is sucked into the vacuum tube.

- Solution:
1. Make sure the opening at the end of the sweep hose (#7) is not blocked by the sweep hose scrubber (#5).
 2. Adjust the sweep hose (#7) to a gentle sweeping motion.

Action: Sweep hose sprays too much water out of the pool.

- Solution:**
1. Adjust the speed of the sweep hose (#7) by tightening the adjustment screw (#10).
 2. Replace the sweep hose scrubber (#5) if it is worn or missing.
 3. Add a sweep hose weight (order part #B2) to keep the sweep hose from spraying.

Action: The cleaner does not clean the entire pool.

- Solution:**
1. Check the hose length reaches within 6" of the farthest point of the pool. If not, order a new hose section from your Polaris dealer.
 2. Check thrust jet for straight back position that optimizes random turning.
 3. While the cleaner is operating, hold it upside down and look into the vacuum tube. There should be one distinct jet of water. If there are not, contact Customer Service or a Polaris authorized Service Center for assistance.

Action: The cleaner is running in circles on its side.

- Solution:**
1. Check filter bag, if full it can weigh the cleaner down on one side.
 2. Remove the head float (#4) and shake it. If there is water in the float, order a new one.
 3. Check the hose floats to make sure they are spaced evenly.

Troubleshooting Worksheet

If these solutions do not result in improved performance, contact the Polaris dealer who sold you the cleaner or call Customer Service.

In order to provide faster and more convenient service, please have the following information available at the time of your call or when taking the Polaris in for service.

1. **Serial #:** _____
2. **Wheel RPM:** _____
3. **Is the back-up valve cycling?**
 Yes No
4. **Is the feed hose the proper length?**
 Yes No
5. **Are the swivels rotating freely?**
 Yes No
6. **How often do you clean the filter screen inside the Quick Disconnect?**
 Never Once a Week
 Twice a Week Once a Month
7. **Are the vacuum jets obstructed?**
 (While the cleaner is operating, hold it upside down and look into the vacuum tube. There should be one distinct jet of water.)
 Yes No
8. **Is the drive train functioning?**
 (As you spin each wheel independently, all the wheels should spin.)
 Yes No

Informations importantes

- Toujours déconnecter le Polaris de la paroi de la piscine avant de procéder au nettoyage ou au lavage à contre-courant du filtre.
- Après le nettoyage ou le lavage à contre-courant, laisser le système de filtrage en marche pendant au moins cinq minutes avant de reconnecter le Polaris.
- Rincer les nouvelles conduites avant d'installer le Polaris.
- Ne pas utiliser le Polaris pour enlever la poussière de plâtre dans les nouvelles piscines.
- Toujours enlever le Polaris avant qu'un nageur entre dans la piscine.
- Ne pas manipuler le Polaris pendant son fonctionnement, à moins que ce soit pour Vérifier la vitesse de rotation de la roue.
- Toujours enlever le Polaris de la piscine avant de procéder à un traitement chimique de choc.

Service clientèle ou assistance technique :

- Immédiatement retourner la carte de garantie.
- Assistance technique en ligne : www.polarispool.com
- Pour contacter Polaris :

US and Canada

Customer Service
2620 Commerce Way
Vista, CA 92081-8438
1-800-822-7933

Australia

Unit 4, 19-21 Gibbes Street,
Chatswood, NSW 2067
1-300-POLARIS
ACN 080 168 092

Europe

C/Osana s/n.
(Pol.End.El Ramassar),
98520 Les Franqueses del Vallés
Barcelona, Spain
+34 93 840 25 85

Polaris Vac-Sweep® 180 Garantie

Vous avez choisi la marque Polaris Vac-Sweep 180 et nous vous remercions de votre confiance. Ce produit a été conçu, fabriqué et contrôlé avec le plus grand soin afin qu'il vous donne entière satisfaction.

La durée de la garantie est fixée à 2 ans à partir de la date de facturation au premier utilisateur.

AVERTISSEMENT CONCERNANT L'UTILISATION DU POLARIS 180 DANS UNE PISCINE A REVETEMENT VINYLE

La surface de certains revêtements vinyle à motifs peut s'user rapidement et les motifs peuvent disparaître au contact d'objets tels que brosses de nettoyage, jouets, bouées, fontaines, distributeurs de chlore et nettoyeur de piscine automatique. Les motifs de certains revêtements vinyle peuvent être égratignés ou usés par simple frottement, tel qu'avec une brosse de piscine. La couleur de certains motifs peut également s'effacer pendant l'installation ou en cas de contact avec des objets présents dans la piscine. Les motifs effacés, l'usure ou l'égratignure des revêtements vinyle ne relèvent pas de la responsabilité de Polaris et ne sont pas couverts par la garantie limitée.

Introduction

Félicitations pour l'achat du nouveau nettoyeur de piscine automatique et nos remerciements d'avoir choisi un produit Polaris. Grâce à sa conception et sa fiabilité, le Polaris Vac-Sweep 180 fonctionnera sans problèmes pendant de nombreuses années.

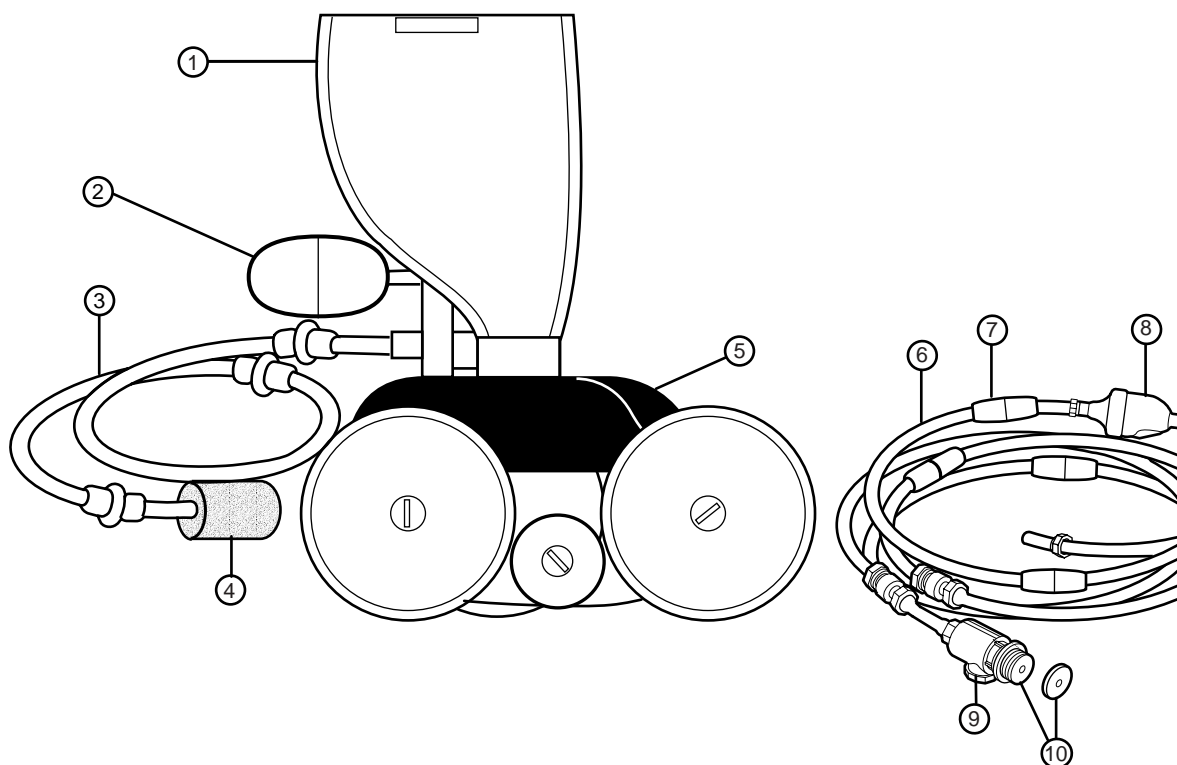
Comme la plupart des dispositifs mécaniques, le Polaris doit être ajusté périodiquement, entretenu avec régularité et équipé de nouvelles pièces après une utilisation prolongée. Faire vérifier occasionnellement l'appareil par le distributeur local ou le centre de service Polaris.

N'utiliser que des pièces de rechange Polaris d'origine. Les pièces qui n'ont pas été fabriquées par Polaris ne satisfont pas à nos spécifications. Elles peuvent entraver le fonctionnement du Polaris, voire l'endommager.

Faire installer le Polaris 180 par un professionnel pour obtenir les meilleurs résultats. Les explications concernant l'installation sont fournies dans le présent manuel pour les personnes dotées d'expérience et habituées à manipuler les équipements mécaniques et les matériels et matériaux de plomberie.

Polaris 180 complets

1. Sac tous usages
2. Flotteur de tête
3. Tuyau de balayage
4. Brosse de nettoyage du tuyau de balayage
5. Corps du nettoyeur
6. Tuyau d'arrivée
7. Flotteurs de tuyau
8. Soupape de secours
9. Connexion rapide avec raccord mural universel (UWF)
10. Disques du réducteur de débit (un rouge et un bleu)



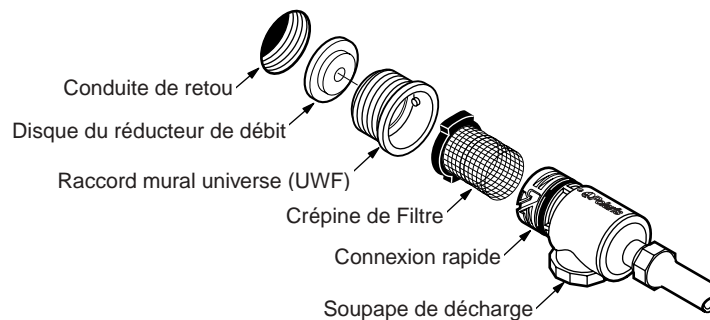
Instructions d'installation rapide

1

Installation du raccord mural universel (UWF)

L'installation ne prendra que quelques minutes si la piscine est équipée d'une ligne de retour dédiée et d'un raccord de tuyau femelle de 1-1/2 pouces (3,8 cm).

1. Mettre la pompe de filtrage en marche et rincer les conduites. Arrêter la pompe.
2. Séparer le raccord mural universel (UWF) du raccord de connexion rapide, puis visser l'UWF avec le disque bleu du réducteur de débit sur l'ouverture de la ligne de retour.
3. Introduire la connexion rapide dans le raccord mural universel (UWF) en tournant dans le sens des aiguilles d'une montre, puis tirer pour verrouiller.



2

Adaptation de la longueur du tuyau d'arrivée aux dimensions de la piscine

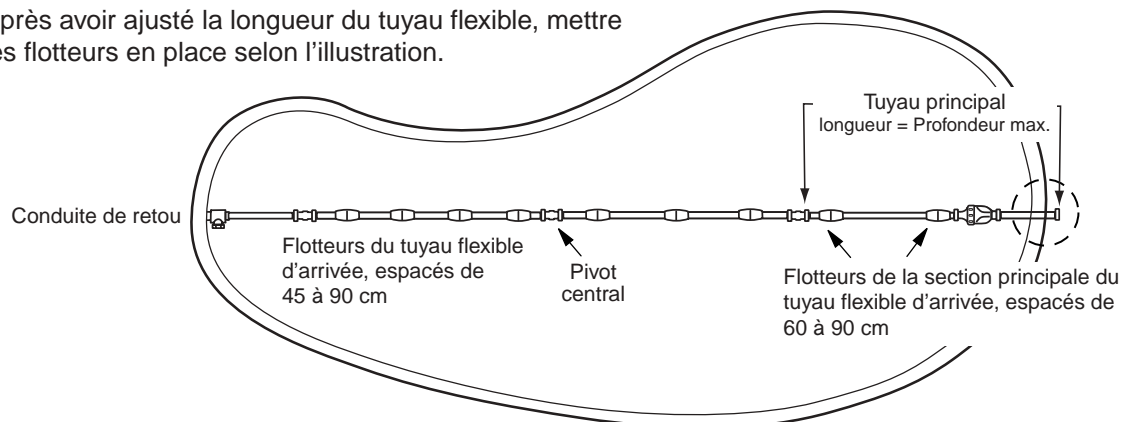
Mesurer l'endroit de la piscine où la profondeur est la plus grande. Couper le tuyau principal, côté raccordement au tuyau d'arrivée, de manière à ce que sa longueur soit égale à la plus grande profondeur de la piscine.

Raccorder le tuyau flexible principal au tuyau d'arrivée et connecter le tuyau flexible à la prise balai de la piscine, sur la conduite de retour. Tirer sur le tuyau pour qu'il atteigne le point le plus éloigné de la piscine. L'extrémité du tuyau doit se trouver à plus ou moins 15 centimètres de ce point le plus éloigné. Voir le cercle en pointillés.

Le tuyau est-il trop long ? Détacher le tuyau au pivot central. Couper d'égales longueurs du surplus de chacune des sections de tuyau de 3 mètres de long.

Le tuyau est-il trop court ? Acheter une section de tuyau supplémentaire (n° de pièce 9-100-3104), un pivot (n° de pièce D20) et deux raccords de fixation de tuyau (n° de pièce D15) chez un revendeur agréé par Polaris.

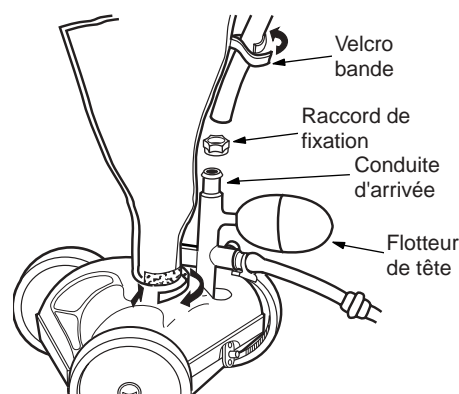
Après avoir ajusté la longueur du tuyau flexible, mettre les flotteurs en place selon l'illustration.



3

Assemblage du nettoyeur

1. Fixer le tuyau flexible d'arrivée à la conduite d'alimentation à l'aide de la bague de fixation.
2. Tirer le sac pour le sortir et attacher la bande Velcro, sans la serrer, autour du tuyau flexible d'arrivée.
3. Placer le flotteur de tête en arrière et à une distance de 1,3 à 2,5 cm de la conduite d'alimentation.
4. Mettre la pompe de filtration de la piscine en marche et la laisser s'amorcer avant de mettre la pompe de surcompression en marche.

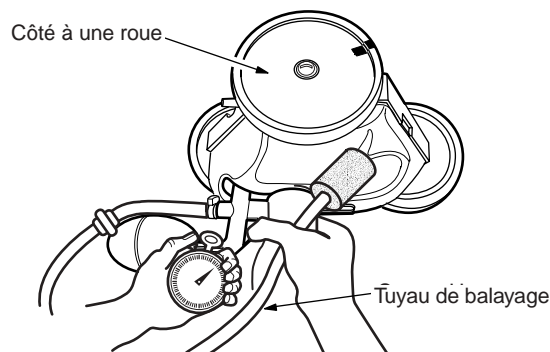


4

Contrôle de la vitesse de rotation de la roue

Avant de mettre le Polaris en marche, vérifier la vitesse de rotation de la roue (t/min). Pour obtenir un rendement maximum, le Polaris doit tourner à une vitesse comprise entre 28 et 32 t/min.

1. Marquer la bande de roue à une face.
2. Mettre la pompe en marche, immerger le nettoyeur et compter le nombre de révolutions effectuées par la roue en 1 minute.
3. La vitesse de rotation optimum est entre 28 et 32 t/min.



Si elle est **inférieure à 28 t/min** :

- Vérifier si des débris se sont accumulés dans le filtre de la connexion rapide.
- Nettoyer le skimmer, le filtre et le panier de la pompe.
- Vérifier si les tuyaux, raccords et joints à rotule ont des fuites.
- Retirer le disque bleu du réducteur de débit de l'UWF.
- Si une vanne à passage direct réglable est installée sur la pompe de surcompression ou dans la ligne du nettoyeur, l'ouvrir complètement pour que l'eau puisse s'écouler librement vers le Polaris.

Si la vitesse est **supérieure à 32 tr/min** :

- Dévisser la soupape de décharge jusqu'à ce que la vitesse correcte en tr/min soit atteinte.
- Si une vanne à passage directe réglable est installée, l'ajuster pour diminuer le débit d'eau vers le nettoyeur.
- Remplacer le disque bleu du réducteur de débit de l'UWF par le disque de réducteur rouge.

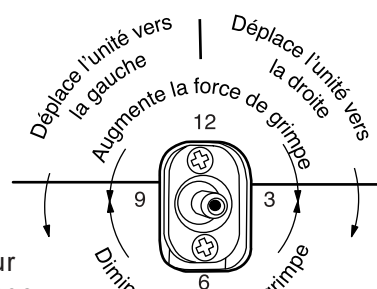
Réglage fin du nettoyeur Polaris

Lorsque le nettoyeur Polaris fonctionne correctement, il aspire, nettoie et récurse toutes les surfaces de la piscine en effectuant un parcours aléatoire. Son aptitude à monter le long des parois dépend de la forme de la piscine, de la pression et du débit d'eau. Le Polaris grimpe plus facilement dans les piscines où la transition est douce entre les parois et le fond de la piscine.

Il se met en mode marche arrière toutes les 3 minutes. Cela lui permet de s'éloigner des obstacles.

Réglage de la buse de propulsion

La buse propulse le Polaris dans une certaine direction. La direction est réglée en usine au droit du plan de base de la buse mais, selon la piscine, d'autres positions peuvent être mieux adaptées.



Réglage du tuyau de balayage

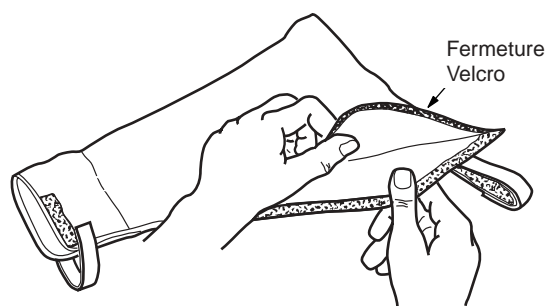
Le tuyau de balayage doit se déplacer doucement. Pour augmenter ou diminuer les mouvements du tuyau de balayage, arrêter la pompe de surcompression et tourner la vis de réglage du tuyau de balayage.

Voir la rubrique Dépannage pour les autres réglages.

Entretien normal

Nettoyage du sac de filtre

Détacher le sac du nettoyeur. Ouvrir l'ouverture et vider le sac.



- Si cela est possible, vider le sac quand il est à moitié plein, surtout s'il est rempli de sable.
- Il est plus facile de vider le sac de filtrage quand il est sec. Utiliser deux sacs en alternance. Quand l'un est plein, l'enlever et installer le sac propre.

Lavage à contre-courant du filtre de la piscine

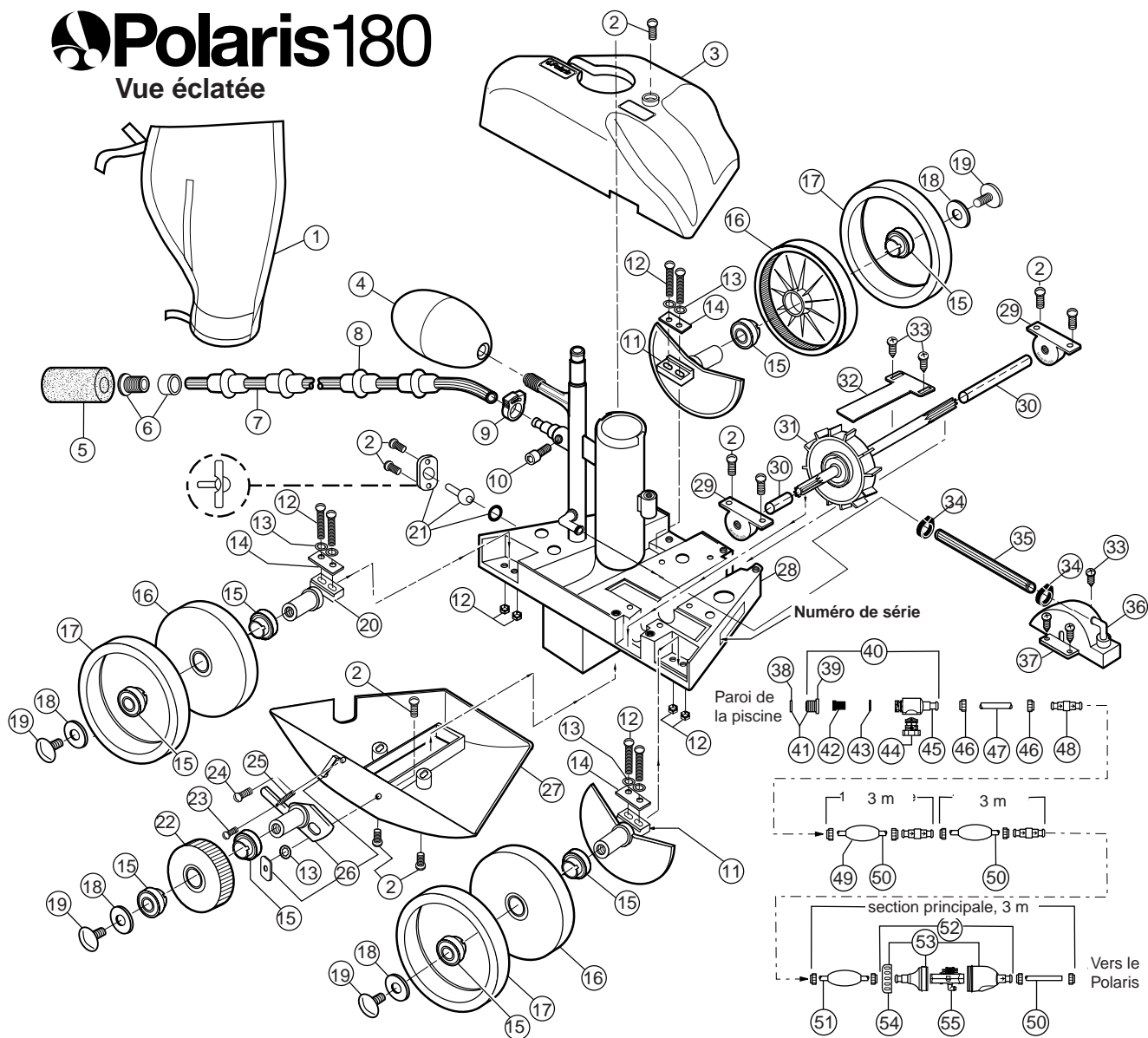
Toujours déconnecter le Polaris de la paroi de la piscine avant de procéder au nettoyage ou au lavage à contre-courant du filtre de la piscine. Après un nettoyage ou lavage à contre-courant, laisser fonctionner le système de filtrage pendant au moins cinq minutes pour rincer les conduites de retour, puis reconnecter le Polaris.

Entreposage préparation à l'hivernage

Ne jamais entreposer le Polaris dans un endroit où il serait exposé aux rayons directs du soleil. Pour le ranger pendant l'hiver, vider toute l'eau (les dégâts provoqués par le gel ne sont pas couverts par la garantie). Enlever le raccord universel de la paroi de la piscine en y fixant la connexion rapide et tourner tout en tirant. Dans certains cas, il sera nécessaire d'utiliser l'outil de déconnexion du raccord mural universel (UWF) (référence 10-102-00) disponible chez le distributeur Polaris agréé.

Polaris180

Vue éclatée



Français

N°	N° de pièce	Description	Qté	N°	N° de pièce	Description	Qté	N°	N° de pièce	Description	Qté
1	A16	Sac tous usages*	1	18	C64	Rondelle de roue, plastique	4	37	C110	Capot de turbine avec coude	1
2	C40	Vis, 10-32 x 3/8"	10	19	C55	Vis de roue, plastique	4	38	10-112-00	Disques du réducteur de débit de l'UWF, rouge et bleu	2
3	A5	Haut	1	20	C65	Essieu, grand (roue arrière seulement)*	1	39	6-500-00	Raccord Mural Universel (UWF)	1
4	A20	Flotteur, tête	1	21	C131	Kit de buse de propulsion	1	40	9-100-9001	Ensemble de connecteur UWF	1
5	9-100-3105	Brosse de nettoyage du tuyau de balayage*	1	22	C16	Roue libre, petite	1	41	10-108-00	Kit du réducteur de débit de l'UWF	1
6	B25	Embout perforé avec fourrure de protection	1	23	C30	Vis, 4-40 x 3/16"	1	42	6-504-00	Crépine de Filtre, UWF/QD	1
7	B5	Tuyau de balayage complet*	1	24	C32	Vis, 6-32 x 1/2"inox.	1	43	6-505-00	Joint torique, UWF/QD	1
8	B10	Bagues d'usure*	8	25	C25	Ressort pour C36	1	44	9-100-9002	Soupape de décharge, noir	1
9	B15	Bague de fixation du tuyau de balayage	1	26	C36	Kit d'essieu oscillant	1	45	D29	Connexion rapide (QD), UWF	1
10	B20	Vis de réglage, tuyau de balayage	1	27	A10	Base avec patte de fixation	1	46	D15	Écrou, tuyau flexible d'arrivée	10
11	C66	Essieu, grand (avec protection contre le sable/gravier)	2	28	C145	Châssis	1	47	**	Flexible d'adaptateur, 21,6 cm	1
12	C75	Vis/écrou, 10-32 x 7/8"	6	29	C80	Roulements à billes, turbine	2	48	D20	Pivot, Roulement à billes	3
13	C45	Rondelle frein pour C36	7	30	C83	Tubes d'arbre de turbine	1	49	D10	Flotteur, tuyau flexible d'arrivée	9
14	C70	Plaques d'essieu pour C65/C66	3	31	C86	Ensemble d'arbre moteur	1	50	D45	Tuyau flexible d'arrivée, 3 m	2
15	C60	Roulements à bille, roues	8	32	A40	Écran d'arbre de turbine	1	51	D50	Tuyau flexible d'arrivée, section principale, 3 m	1
16	C6	Roue, grande (aucun roulement n'est inclus)	3	33	A30	Vis, 10 x 1/2"	5	52	G52	Kit de la soupape de secours	1
17	C10	Pneu, MaxTrax®*	3	34	9-100-7170	Bague de serrage pour tuyaux du système de distribution d'eau	2	53	G54	Kit de boîtier pour G52	1
				35	C120	Flexible pour C110, 19 cm	1	54	G57	Collier, soupape de secours	1
				36	C115	Coude pour C110 ou Tube du mât d'alimentation	2	55	G53	Mécanisme pour G52	1

* Les pièces consommables ne sont pas couvertes par la garantie.

Dépannage

Si le nettoyeur Polaris présente souvent l'un des comportements suivants, un réglage est sans doute nécessaire pour obtenir un fonctionnement correct. Se reporter aux vues éclatées des pièces pour identifier leurs références (entre parenthèses).

Action : S'accroche aux marches et autres obstacles pendant plus de 3 minutes.

- Solution :
1. Vérifier la vitesse de rotation de la roue du Polaris.
 2. Vérifier le cycle de la soupape de secours (n°. 52).
 3. Ajuster la buse de propulsion (n°. 21).
 4. Enlever tout matériel inutile de la piscine ou installer un kit de protection d'échelle (commander la pièce n°. G21 auprès d'un distributeur Polaris).

Action : Le Polaris se déplace avec extrême lenteur et fonctionne avec une puissance inférieure à la normale.

- Solution :
1. Vérifier le filtre (n°. 42) de la connexion rapide (n°. 45) et le nettoyer si nécessaire.
 2. Nettoyer le panier du skimmer, le panier de la pompe et le filtre de la piscine.
 3. Vérifier si les tuyaux, connexions et rotules (n°. 48) ont des fuites. Cela expliquerait la baisse de pression d'eau.
 4. Vérifier la vitesse de rotation de la roue du Polaris.

Action : Le Polaris vole autour de la piscine et/ou ne fait pas contact avec le fond.

- Solution :
1. Vérifier la vitesse de rotation de la roue du Polaris. Si elle

est supérieure à 32 t/min, dévisser la soupape de décharge (n°. 44) pour diminuer le débit d'eau du nettoyeur.

2. Confirmer que le disque bleu du réducteur de débit est installé dans l'UWF pour diminuer le débit d'eau. Ou bien, installer le disque rouge du réducteur pour diminuer le débit d'eau encore plus.
3. Vérifier le cycle de la soupape de secours (n°. 52). Sortir la soupape de l'eau et observer le jet. Il doit pulser.

Action : Le Polaris ne recule pas.

- Solution :
1. Vérifier le cycle de la soupape de secours (n°.52).
 2. Vérifier la vitesse de rotation de la roue du Polaris.
 3. Vider le sac (n°. 1) s'il est plein.
 4. Si le flotteur de tête (n°. 4) contient de l'eau, le remplacer.
 5. S'assurer que le tuyau d'arrivée flotte.

Action : Le Polaris ne tourne que dans un seul sens.

- Solution :
1. Ajuster la buse de propulsion (n°. 21).
 2. S'assurer que le tuyau d'arrivée flotte.

Action : Le tuyau d'arrivée forme des nœuds.

- Solution :
1. Remesurer la longueur du tuyau et vérifier qu'elle correspond à celle requise par la forme de la piscine.
 2. Lorsque le Polaris fonctionne, vérifier que les joints à rotule (n°. 48) et les connexions des tuyaux tournent librement.
 3. S'assurer que le tuyau d'arrivée flotte.
 4. Lorsque le Polaris est arrêté, actionner chacune des roues. Toutes les roues doivent tourner en même temps.

Action : Le tuyau de balayage a été aspiré dans le tuyau aspirant.

- Solution :
1. S'assurer que l'ouverture à l'extrémité du tuyau de balayage (n°. 7) n'est pas bloquée par la brosse de nettoyage du tuyau de balayage (n°. 5).
 2. Ajuster le tuyau de balayage (n°. 7) pour obtenir un déplacement régulier.

Action : Le tuyau de balayage asperge sans cesse le pourtour de la piscine.

- Solution :
1. Régler la vitesse du tuyau de balayage (n°. 7) en serrant la vis de réglage.
 2. Remplacer la brosse de nettoyage du tuyau de balayage (n°. 5) si elle est usée ou installer une brosse s'il n'y en a pas.
 3. Ajouter des lests au tuyau de balayage (commander la pièce no. B2) pour éviter qu'il asperge les environs de la piscine.

Action : Le nettoyeur ne nettoie pas toute la piscine.

- Solution :
1. Vérifier que le tuyau atteint le point le plus éloigné de la piscine à plus ou moins 15 cm près.
 2. Vérifier que la buse de propulsion est orientée au droit du plan de base pour optimiser le déplacement aléatoire.
 3. Pendant que le nettoyeur fonctionne, le tenir à l'envers et regarder à l'intérieur du tube de mise sous vide. On doit observer un jet d'eau distinct. En son absence, contacter le Service de la clientèle ou un centre de service agréé par Polaris pour obtenir de l'aide.

Action : Le nettoyeur tourne en rond, couché sur le côté.

- Solution :
1. Si le sac de filtration est plein, son poids peut faire basculer le nettoyeur sur le côté.
 2. Enlever le flotteur de tête (n° 4) et le secouer. S'il contient de l'eau, en commander un autre pour le remplacer.
 3. Vérifier les flotteurs du tuyau flexible pour s'assurer qu'ils sont régulièrement espacés.

Wichtige Informationen

- Den Polaris immer von der Poolwand entfernen, wenn der Poolfilter gereinigt oder rückgespült wird.
- Nach dem reinigen oder rückspülen das Filtersystem mindestens fünf Minuten laufen lassen, bevor man den Polaris anschließt.
- Neu installierte Rohrleitungen sollen vor Installation des Polaris sauber durchgespült werden.
- Der Polaris soll nicht zur Entfernung von Mauerputzstaub bei neuen Pools verwendet werden.
- Den Polaris vom Pool entfernen, wenn sich Badende im Pool befinden.
- Den Polaris nicht bedienen während er läuft, mit der Ausnahme, wenn man die Umdrehungszahl (Umdrehungen pro Minute) der Räder prüft.
- Vor Hinzufügung von Chemikalien, den Polaris immer vom Pool entfernen.

Kundendienst:

- Garantiekarte bitte sofort einsenden.
- Für Online Unterstützung: www.polarispool.com
- So können Sie Polaris finden:

US and Canada

Customer Service
2620 Commerce Way
Vista, CA 92081-8438
1-800-822-7933

Australia

Unit 4, 19-21 Gibbes Street,
Chatswood, NSW 2067
1-300-POLARIS
ACN 080 168 092

Europe

C/Osana s/n.
(Pol.End.El Ramassar),
98520 Les Franqueses del Vallés
Barcelona, Spain
+34 93 840 25 85

Polaris Vac-Sweep® 180 Garantie

Sie haben sich für die Marke Polaris Vac-Sweep 180 entschieden, und wir danken Ihnen für Ihr Vertrauen. Dieses Produkt wurde mit größter Sorgfalt entwickelt, hergestellt und geprüft, damit es zu Ihrer vollen Zufriedenheit funktioniert.

Die Garantiezeit ist auf 2 Jahre ab Rechnungsdatum des Ersterwerbs festgelegt.

WARNHINWEIS: ANWENDUNG DES POLARIS 180 IN EINEM POOL MIT VINYLEINSATZ

Bestimmte Muster des Vinyleinsatzes sind ganz besonders auf schnelle Oberflächenabnutzung oder Abnutzung des Musters durch Gegenstände, die mit der Vinyloberfläche in Berührung kommen, einschließlich der Poolbürste, Poolspielsachen, Schwimmkörper, Springbrunnen, Chlorverteiler und automatischem Poolreiniger, anfällig. Manche Muster können durch Bürsten der Oberfläche stark verkratzt oder abgeschürft werden. Es kann auch vorkommen, dass sich während der Installation die Farbe des Musters abreibt, wenn der Vinyleinsatz mit Gegenständen im Pool in Kontakt kommt. Polaris, so wie die eingeschränkte Haftung von Polaris, haften nicht für Abreibungen des Musters, so wie Abschürfungen oder Markierungen am Vinyleinsatz.

Einleitung

Es freut uns, dass Sie sich zum Kauf des neuen, automatischen Poolreinigers entschlossen haben und wir bedanken uns, dass Sie Polaris gewählt haben. Der Polaris Vac-Sweep 180 wurde so entworfen, dass er Ihnen jahrelangen, zuverlässigen Service bietet.

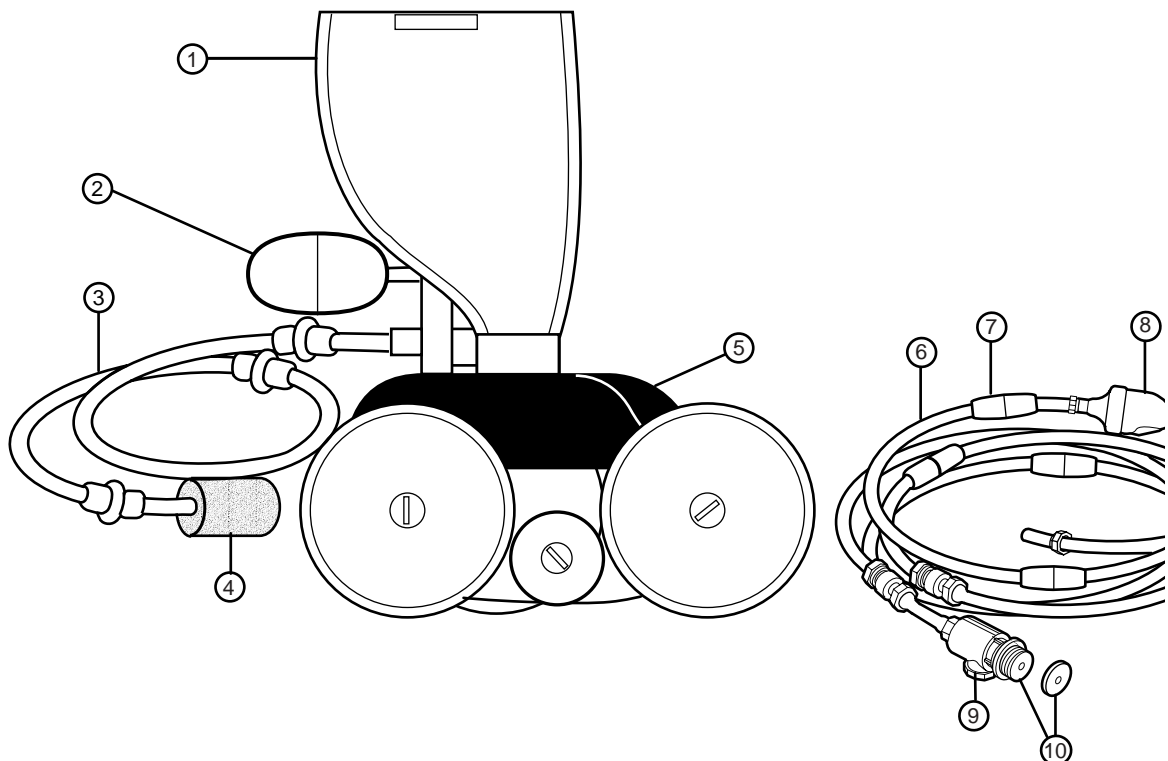
Wie die meisten mechanischen Geräte, so muss auch der Polaris periodisch nachgestellt und routinemäßige Wartungsarbeiten, mit eventuellem Ersetzen bestimmter Stressteile, durchgeführt werden. Stellen Sie sicher, dass Sie Ihren Polaris ab und zu von Ihrem örtlichen Polaris Händler oder von einem berechtigten Service Center warten lassen.

Bestehen Sie immer auf Originalersatzteile von Polaris. Ersatzteile die nicht von Polaris stammen entsprechen nicht unseren Vorschriften. Es kann sein, dass sich diese Teile negativ auf die Funktion Ihres Polaris auswirken oder diesen sogar beschädigen.

Der Polaris 180 sollte am besten von einem Poolfachmann installiert werden. Für Personen die Erfahrung mit dem Umgang von Rohrleitungen und mechanischen Geräten haben, ist die Installation in diesem Handbuch aufgeführt.

Polaris 180 kompletter Reiniger

- | | |
|-------------------------|--|
| 1. Allzweckbeutel | 7. Schlauchschwimmkörper |
| 2. Schwimmkopf | 8. Rücklaufventil |
| 3. Sweep-Schlauch | 9. Quick Trenner mit universaler Wandhalterung |
| 4. Sweep-Schlauchbürste | 10. Durchflussbegrenzer (ein roter und ein blauer) |
| 5. Reiniger | |
| 6. Zufuhrschlauch | |

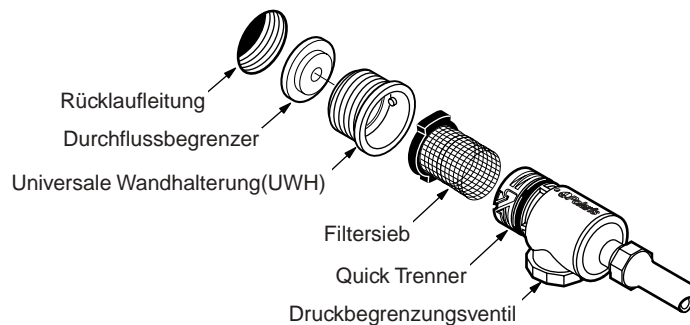


Quick Installationsanleitung

1 Installation der universalen Wandhalterung

Wird in Minuten mit einer dafür vorgesehenen Reinigungsrücklaufleitung und einer mit einem 1-1/2 Zoll (3,81 cm) Innengewinde versehenem Rohranschlussstück installiert.

1. Die Filterpumpe einschalten und die Rohrleitungen durchspülen. Pumpe ausschalten.
2. Die UWH von dem Quick Trenner entfernen und die UWH mit dem blauen Durchflussbegrenzer in die Rücklauföffnung schrauben.
3. Den Quick Trenner im Uhrzeigersinn in den UWH drehen und festziehen um diesen zu sichern.



2 Zufuhrschlauch passend zur Länge des Pools einstellen

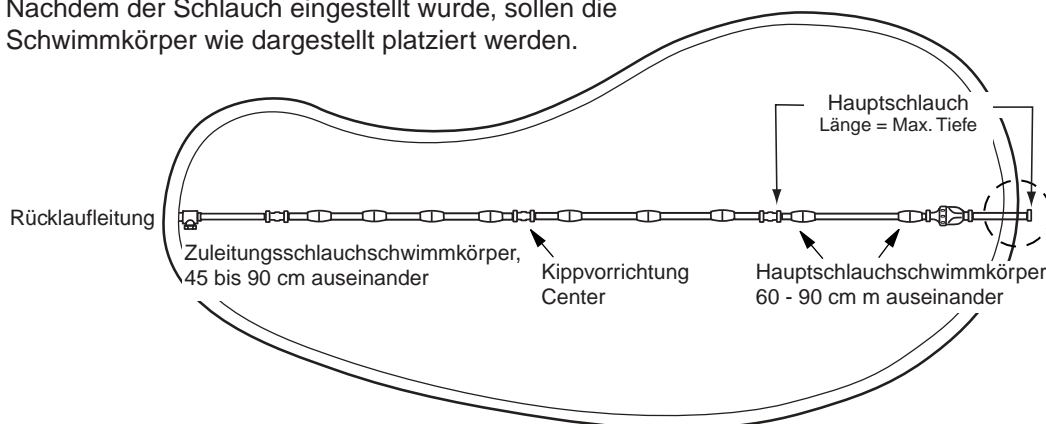
Messen Sie das tiefste Ende des Pools. Schneiden Sie den Hauptschlauch von dem Ende ab, das an den Zuleitungsschlauch befestigt ist, damit die Länge dem tiefsten Ende des Pools gleich ist.

Befestigen Sie den Hauptschlauch an den Zuleitungsschlauch und schließen Sie den Schlauch mittels der Rücklaufleitung an die Poolwand an. Ziehen Sie den Schlauch zum längsten Ende des Pools. Das Schlauchende muss innerhalb von 15 cm – länger oder kürzer – vom weitesten Punkt entfernt liegen. Siehe den mit Punkten markierten Kreis.

Ist der Schlauch zu lang? Trennen Sie den Schlauch vom Center der Kippvorrichtung. Schneiden Sie die gleiche Länge, die der Schlauch zu lange ist, von jedem der 10 Fuß (3m) langen Schlauchteile ab.

Ist der Schlauch zu kurz? Kaufen Sie ein zusätzliches Zuleitungsschlauchstück (Teile Nr. 9-100-3104), eine Kippvorrichtung (Teile Nr. D20) und zwei Schlauchmutter (Teile Nr. D15) von einem autorisierten Polaris Händler.

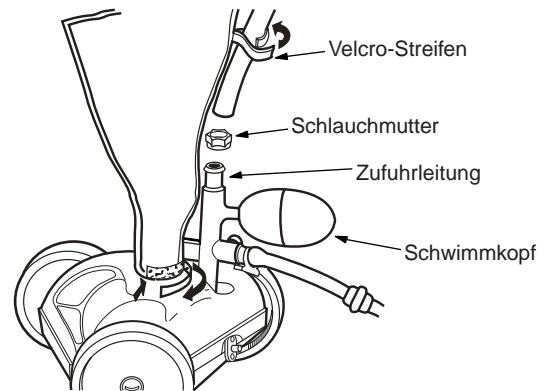
Nachdem der Schlauch eingestellt wurde, sollen die Schwimmkörper wie dargestellt platziert werden.



3

Montage des Reinigers

1. Den Zuleitungsschlauch mit der Mutter an die Zufuhrleitung befestigen.
2. Den Beutel herausnehmen und den Velcro-Streifen locker am Zuleitungsschlauch befestigen.
3. Den Schwimmkopf mit einem Abstand von 1,30-2,5 cm von der Zufuhrleitung entfernt positionieren
4. Poolfilterpumpe einschalten und zum Ansaugen vorbereiten lassen, bevor die Druckpumpe eingeschaltet wird.

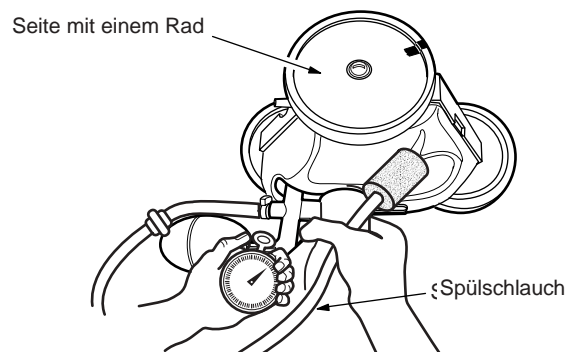


4

Umdrehungszahl der Räder überprüfen

Bevor Sie den Polaris bedienen sollten Sie die Räder auf die richtige Umdrehung (Umdrehungszahl pro Minute) überprüfen. Für die optimale Leistung soll der Polaris zwischen 28 und 32 Umdrehungen pro Minute laufen.

1. Markieren Sie eine Seite eines der Räder.
2. Schalten Sie die Pumpe ein und tauchen Sie den Polaris in das Wasser ein und zählen Sie die Radumdrehungen für eine Minute.
3. Die optimale Leistung soll zwischen 28 und 32 Umdrehungen pro Minute liegen.



Bei weniger als **28 Umdrehungen pro Minute:**

- Überprüfen Sie das Filtersieb des Quick Trenners nach Abfall.
- Den Schaumlöffel, den Filter und den Pumpenkorb reinigen.
- Schläuche, Verbindungen und Kippvorrichtungen auf Lecks überprüfen.
- Den blauen Durchflussbegrenzer von dem UWH entfernen.
- Wenn an der Druckpumpe oder an der Filterleitung ein einstellbares Durchlassventil installiert ist, soll dieses ganz geöffnet werden, damit das Wasser ungehindert zum Polaris fließen kann.

Bei mehr als **32 Umdrehungen pro Minute:**

- Druckventil zurückdrehen bis das entsprechende RPM erreicht ist.
- Wenn ein einstellbares Durchlassventil installiert ist, soll dieses so eingestellt werden, dass es den Wasserdurchfluss zum Filter reduziert.
- Den blauen Durchflussbegrenzer in der UWH mit dem roten Durchflussbegrenzer ersetzen.

Feineinstellung des Polaris Reinigers

Wenn der Polaris richtig eingestellt ist, saugt, bürstet und reinigt er alle Flächen und Bereiche willkürlich im gesamten Pool. Die Kletterfähigkeit des Polaris hängt vom Design des Pools und vom Wasserdruck oder Wasserfluss ab. Am besten klettert der Polaris bei Pools die keine scharfen Winkel oder Kurven im Übergang zwischen dem Poolboden und den Poolwänden haben.

Der Polaris 180 wechselt etwa alle 3 Minuten in den Rückwärtsmodus um. Durch diese Bewegung entfernt sich der Polaris von etwaigen Hindernissen.

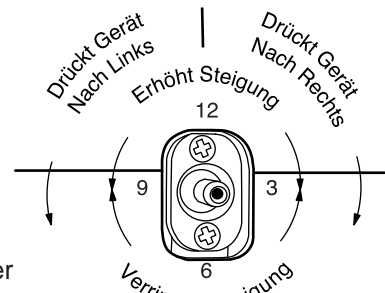
Schub-Jet Einstellung

Das Schub-Jet steuert den Polaris. Die Fabrikeinstellung ist horizontal und nach hinten, jedoch können andere Einstellungen, je nach Pool, hilfreich sein.

Sweep-Schlaucheinstellung

Der Sweep-Schlauch soll sich mühelos und un-gehindert hin und her bewegen. Um die Fortbewegung zu erhöhen oder zu mindern, muss die Drucksteigerungspumpe abgeschaltet und die Spülschlaucheinstellungsschraube justiert werden.

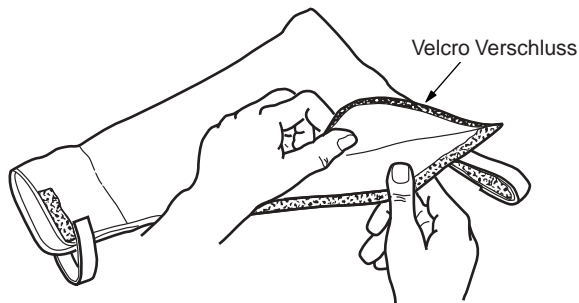
Andere Einstellungen finden Sie im Abschnitt Fehlerbehebung.



Routine Wartung

Filterbeutel reinigen

Entfernen Sie den Beutel. Den Verschluss öffnen und den Abfall entfernen.



- Wann immer möglich, leeren Sie den Filterbeutel, wenn er halb voll ist, besonders dann, wenn er durch Sand verschmutzt ist.
- Es ist einfacher den Filterbeutel zu leeren, wenn er trocken ist. Wechseln Sie zwischen zwei Filterbeutel ab. Wenn ein Beutel voll ist dann entfernen Sie diesen und ersetzen ihn mit einem sauberen Beutel.

Rückspülung des Poolfilters

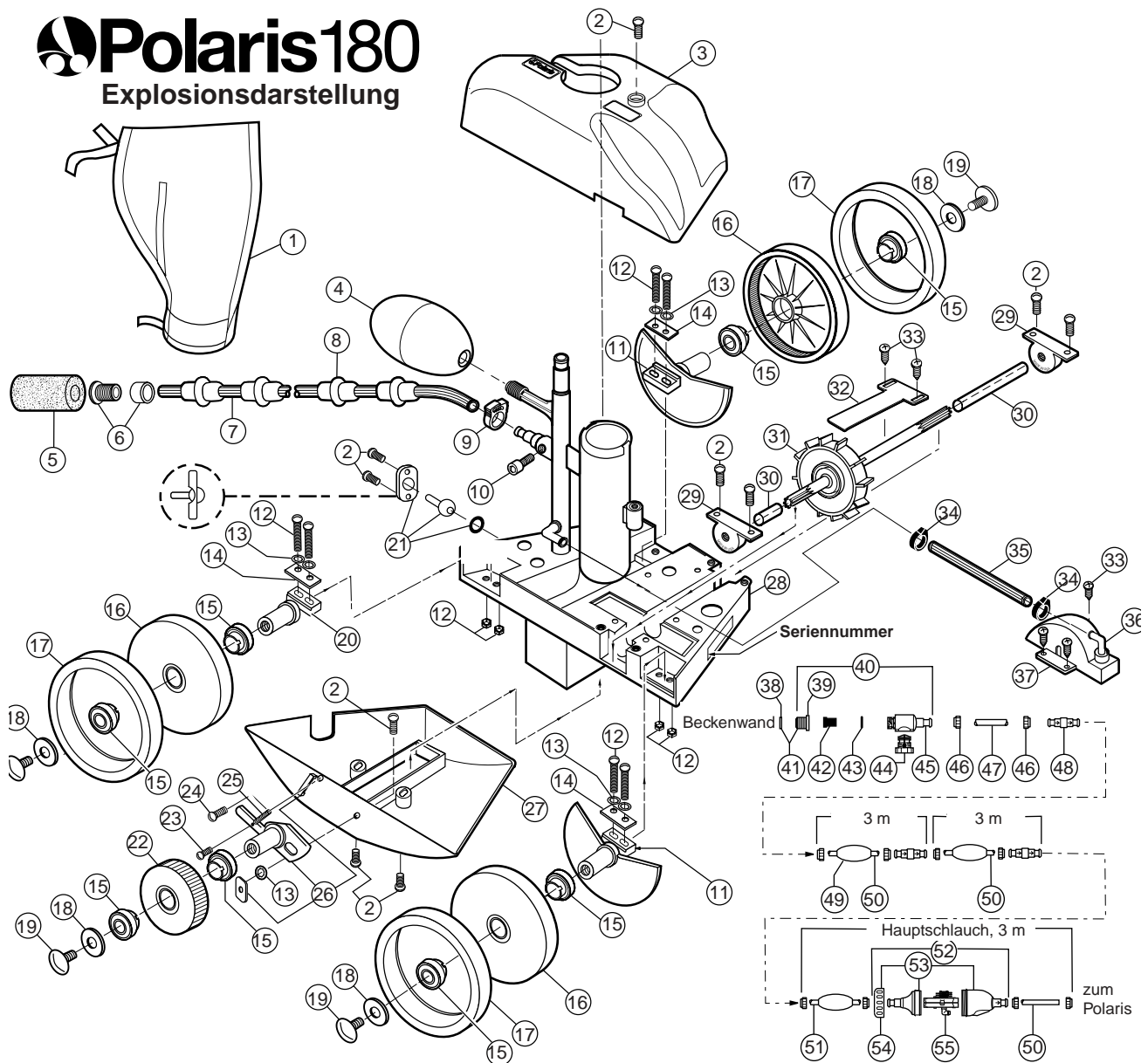
Bevor Sie den Poolfilter reinigen oder rückspülen, soll der Polaris immer von der Poolwand entfernt werden. Nach dem reinigen und rückspülen soll das Filtersystem mindestens fünf Minuten lang laufen um die Rücklaufleitungen durchzuspülen bevor der Polaris neu angeschlossen wird.

Lagerung und Einwinterung

Der Polaris soll nie im direkten Sonnenlicht gelagert werden. Für die Einwinterung sollen alle Wasserrückstände aus den Schläuchen abgelassen werden (Schäden durch Frost werden von der Garantie nicht gedeckt). Entfernen Sie den UWH von der Poolwand, indem Sie den Quick Trenner benutzen und ihn durch Zugkraft abschrauben. In manchen Fällen kann es vorkommen, dass man das UWH Removal Tool (UWH Entferner) (Teile Nr. 10-102-00) benutzen muss, welchen Sie über Ihren Polaris Händler beziehen können.

Polaris 180

Explosionsdarstellung



Deutsch

Nr.	Teile-Nr.	Bezeichnung	Anzahl	Nr.	Teile-Nr.	Bezeichnung	Anzahl	Nr.	Teile-Nr.	Bezeichnung	Anzahl
1	A16	Allzweckbeutel*	1	20	C65	Welle, Groß (nur für hinteres Rad)	1	39	6-500-00	Universale Wandhalterung (UWH)	1
2	C40	Schraube, 10-32 x 3/8 Zoll	10	21	C131	Schub-Jet Kit	1	40	9-100-9001	UWH Verbindungsbausatz	1
3	A5	Reiniger Oberseite	1	22	C16	Zwischenrad, klein	1	41	10-108-00	UWH Durchflussbegrenzerkit	1
4	A20	Schwimmkörper, Kopf	1	23	C30	Schraube, 4-40 x 3/16 Zoll	1	42	6-504-00	Filter, UWH/AD	1
5	9-100-3105	Schlauchbürste*	1	24	C32	Schraube, 6-32 x 1/2 Zoll	1	43	6-505-00	O-Ring, UWH/AD	1
6	B25	Mundlochspitze mit Spitzenschutz	1	25	C25	Feder für C36	1	44	9-100-9002	Druckverminderungsventil, schwarz	1
7	B5	Spülschlauch komplett*	1	26	C36	Schwingachsenkit	1	45	D29	Quick-Trenner, UWH	1
8	B10	Schleissringe*	8	27	A10	Basis mit Stütze	1	46	D15	Düsenmutter, Zuleitungsschlauch	10
9	B15	Spülschlauchbausatzklammer	1	28	C145	Rahmen	1	47	**	Adapterschlauch, 21,6 cm	1
10	B20	Einstellschraube, Spülschlauch	1	29	C80	Kugellager, Turbine	2	48	D20	Kippvorrichtung, Kugellager	3
11	C66	Welle, Groß (mit Sand-/Schotterschutz)	1	30	C83	Turbinenschaftrohre	1	49	D10	Schwimmkörper, Zuleitungsschlauch	9
12	C75	Schraube/Mutter, 10-32 x 7/8 Zoll	6	31	C86	Triebwellenbausatz	1	50	D45	Zuleitungsschlauch, 3 m	2
13	C45	Sicherungsscheibe für C36	7	32	A40	Turbinenschaftschutz	1	51	D50	Zuleitungsschlauch, Hauptschlauch	1
14	C70	Achsscheibe für C65/C66	3	33	A30	Schraube, 10 x 1/2 Zoll	5	52	G52	Rücklaufventil	1
15	C60	Kugellager, Räder	8	34	9-100-7170	Schlauchklammer für WKS	2	53	G54	Gehäusebausatz für G52	1
16	C6	Rad, Groß (ohne Kugellager)	3	35	C120	Schlauch für C110, 19 cm	1	54	G57	Verschluss, Rücklaufventil	1
17	C10	Rad, MaxTrax*	3	36	C115	Ellbogen für C110 oder Zuführmastrohr	2	55	G53	Mechanismus für G52	1
18	C64	Radbeilagscheibe, Plastik	4	37	C110	Turbinenabdeckung mit Ellbogen	1				
19	C55	Radschraube, Plastik	4	38	10-112-00	Durchflussbegrenzer, rot und blau	2				

* Verschleißteile sind nicht von der Garantie gedeckt.

Fehlerbehebung

Sollte der Polaris Reiniger des öfteren folgende Probleme zeigen, kann es sein, dass eine Neueinstellung notwendig sind, um die ursprüngliche Leistung wieder herzustellen. Beziehen Sie sich auf die vergrößerte Teilliste auf der Sie die Teilenummern (in Klammern angegeben) finden.

Vorgang: Bleibt bei Stufen oder anderen Hindernissen länger als 3 Minuten hängen.

- Lösung:
1. Umdrehungszahl der Räder überprüfen.
 2. Sicherstellen, dass das Rücklaufventil (Nr. 52) richtig durchläuft.
 3. Schub-Jet justieren (Nr. 21).
 4. Unnötige Hardware vom Pool entfernen oder ein Leiter-Schutzkit installieren (bestellen Sie Teilenummer G21, von Ihrem Polaris Händler).

Vorgang: Der Polaris bewegt sich nur träge und läuft mit weniger Kraft als normal.

- Lösung:
1. Filtersieb (Nr. 42) in dem Quick Trenner (Nr. 45) überprüfen und wenn nötig, reinigen.
 2. Schaumlöffelkorb, Pumpenkorb und Poolfilter reinigen.
 3. Alle Schläuche, Verbindungen und Kippvorrichtungen (Nr. 48) auf Lecks, die zum Verlust von Wasserdruck führen können, überprüfen.
 4. Umdrehungszahl der Räder überprüfen.

Vorgang: Der Polaris saust durch den Pool und/oder hat keinen Kontakt mit dem Boden.

- Lösung:
1. Umdrehungszahl der Räder überprüfen. Bei mehr als 32 Umdrehungen pro Minute lockern Sie das Überdruckventil (Nr. 44), um den Wasserfluss zum Reiniger zu verringern.
 2. Stellen Sie sicher, dass der blaue Durchflussbegrenzer in die UWH installiert ist und den Wasserdurchfluss drosselt, oder installieren Sie den roten Durchflussbegrenzer um den Wasserdurchfluss noch mehr zu drosseln.
 3. Sicherstellen, dass das Rücklaufventil (Nr. 52) richtig durchläuft. Nehmen Sie das Ventil aus dem Wasser und beobachten Sie das Jet. Es sollte ein- und ausschalten.

Vorgang: Polaris Rücklauf funktioniert nicht.

- Lösung:
1. Sicherstellen, dass das Rücklaufventil (Nr. 52) richtig durchläuft.
 2. Umdrehungszahl der Räder überprüfen.
 3. Wenn der Beutel (Nr. 1) voll ist, bitte leeren.
 4. Wenn sich im Schwimmkopf (Nr. 4) Wasser befindet, bitte ersetzen.
 5. Stellen Sie sicher, dass der Zufuhrschlauch schwimmt.

Vorgang: Der Polaris dreht sich nur in eine Richtung.

- Lösung:
1. Schub-Jet (Nr. 21) einstellen.
 2. Stellen Sie sicher, dass der Zufuhrschlauch schwimmt.

Vorgang: Der Zufuhrschlauch verwickelt sich.

- Lösung:
1. Messen Sie erneut die Schlauchlänge um sicher zu stellen, dass die Länge des Schlauches für die Länge des Pools richtig ist.
 2. Mit dem Polaris in der „An“ Position, überprüfen Sie, dass sich die Kippvorrichtungen (Nr. 48), die zum Schlauch führen und dass sich die Schlauchverbindungen frei bewegen können.
 3. Stellen Sie sicher, dass der Zufuhrschlauch schwimmt.
 4. Mit dem Polaris in der „Aus“ Position, überprüfen Sie, ob sich jedes Rad dreht. Alle Räder sollten sich gleichzeitig drehen.

Vorgang: Der Sweep-Schlauch wird in das Saugrohr gesaugt.

- Lösung:
1. Stellen Sie sicher, dass das Ende des Sweep-Schlauches (Nr. 7) nicht von der Sweep-Schlauchbürste (Nr. 5) blockiert wird.
 2. Der Sweep-Schlauch (Nr. 7) soll so eingestellt sein, dass er sich mühelos und ungehindert hin und her bewegen kann.

Vorgang: Der Sweep-Schlauch sprüht ständig Wasser aus dem Pool.

- Lösung:
1. Sweep-Schlauch (Nr. 7) Geschwindigkeit einstellen, indem Sie die justierbaren Schrauben anziehen.
 2. Ersetzen Sie die Sweep-Schlauchbürste (Nr. 5), wenn sie abgenutzt ist oder wenn sie fehlt.
 3. Fügen Sie ein Sweep-Schlauch Gewicht hinzu (Teile Nr. B2 bestellen), um zu vermeiden, dass der Sweep-Schlauch Wasser aus dem Pool sprüht.

Vorgang: Der Reiniger reinigt nicht den gesamten Pool.

- Lösung:
1. Stellen Sie sicher, dass der Schlauch bis auf 15 cm zum entferntesten Ende des Pools reicht.
 2. Prüfen Sie, ob das Schub-Jet in horizontaler Position steht und nach hinten zeigt, wodurch dann beliebige Drehungen optimiert werden können.
 3. Halten Sie den Reiniger, während er läuft, mit der Unterseite nach oben gerichtet und schauen Sie in das Vakuumrohr hinein. Es soll dort ein deutlich sichtbarer Wasserstrahl laufen. Sollte das nicht der Fall sein, dann setzen Sie sich bitte mit Ihrem Kundendienst oder mit einem von Polaris genehmigten Service Center in Verbindung.

Vorgang: Der Reiniger liegt auf der Seite und dreht sich im Kreis.

- Lösung:
1. Filterbeutel prüfen. Wenn dieser voll ist kann es den Reiniger auf einer Seite nach unten ziehen.
 2. Den Schwimmkopf (Nr. 4) entfernen und schütteln. Wenn in den Schwimmkopf Wasser eingedrungen ist, muss dieser ersetzt, und ein neuer bestellt werden.
 3. Prüfen Sie, ob die Schlauchschwimmkörper gleichmäßig verteilt und voneinander getrennt sind.

Información importante

- Desconecte siempre el Polaris de la pared de la piscina cuando limpie o lave el filtro en contracorriente.
- Después de limpiar o lavar el filtro en contracorriente, deje que le el sistema de filtración funcione al menos durante cinco minutos antes de volver a conectar el Polaris.
- Si la tubería del agua es nueva, debiera purgarse antes de instalar el Polaris.
- El Polaris no debiera utilizarse para aspirar el polvo de yeso en las piscinas nuevas.
- Quite siempre el Polaris antes de que los nadadores entren en la piscina.
- A excepción de cuando compruebe las revoluciones de la rueda, no toque el Polaris mientras esté funcionando.
- Retire siempre el Polaris de la piscina antes de efectuar un tratamiento químico intensivo del agua.

Atención a clientes o apoyo técnico:

- Envíe inmediatamente por correo la tarjeta de garantía.
- Para apoyo técnico en línea: www.polarispool.com
- Para comunicarse con Polaris:

US and Canada

Customer Service
2620 Commerce Way
Vista, CA 92081-8438
1-800-822-7933

Australia

Unit 4, 19-21 Gibbes Street,
Chatswood, NSW 2067
1-300-POLARIS
ACN 080 168 092

Europe

C/Osana s/n.
(Pol.End.El Ramassar),
98520 Les Franqueses del Vallés
Barcelona, Spain
+34 93 840 25 85

Polaris Vac-Sweep® 180 Garantía

Ud. ha elegido la marca Polaris Vac-Sweep 180 y le agradecemos su confianza. Este producto se ha diseñado, fabricado y controlado con el mayor esmero para proporcionarle plena satisfacción

La garantía es válida para 2 años a partir de la fecha de facturación al primer usuario.

ADVERTENCIA: USO DEL POLARIS 180 EN UNA PISCINA REVESTIDA DE VINILO

Los dibujos en algunos revestimientos de vinilo son especialmente susceptibles a desgaste superficial o borrado del dibujo, como resultado de que entren en contacto con la superficie vinílica determinados objetos, tales como cepillos, juguetes de piscina, flotadores, fuentes, surtidores de cloro y limpiafondos automáticos. Los dibujos de algunos revestimientos de vinilo pueden rayarse o rasgarse de manera considerable simplemente al rozar la superficie con un cepillo de piscina. También puede borrarse la tinta del dibujo durante la instalación o al entrar en contacto con objetos en la piscina. Polaris no asume responsabilidad alguna por el borrado del dibujo o el rayado o rasgado del revestimiento de vinilo, ni la garantía limitada cubre estas contingencias.

Introducción

Reciba nuestras felicitaciones por la compra de su nuevo limpiafondos automático y gracias por preferir Polaris. El diseño del limpiafondos Polaris Vac-Sweep 180 le brindará muchos años de servicio confiable y eficiente.

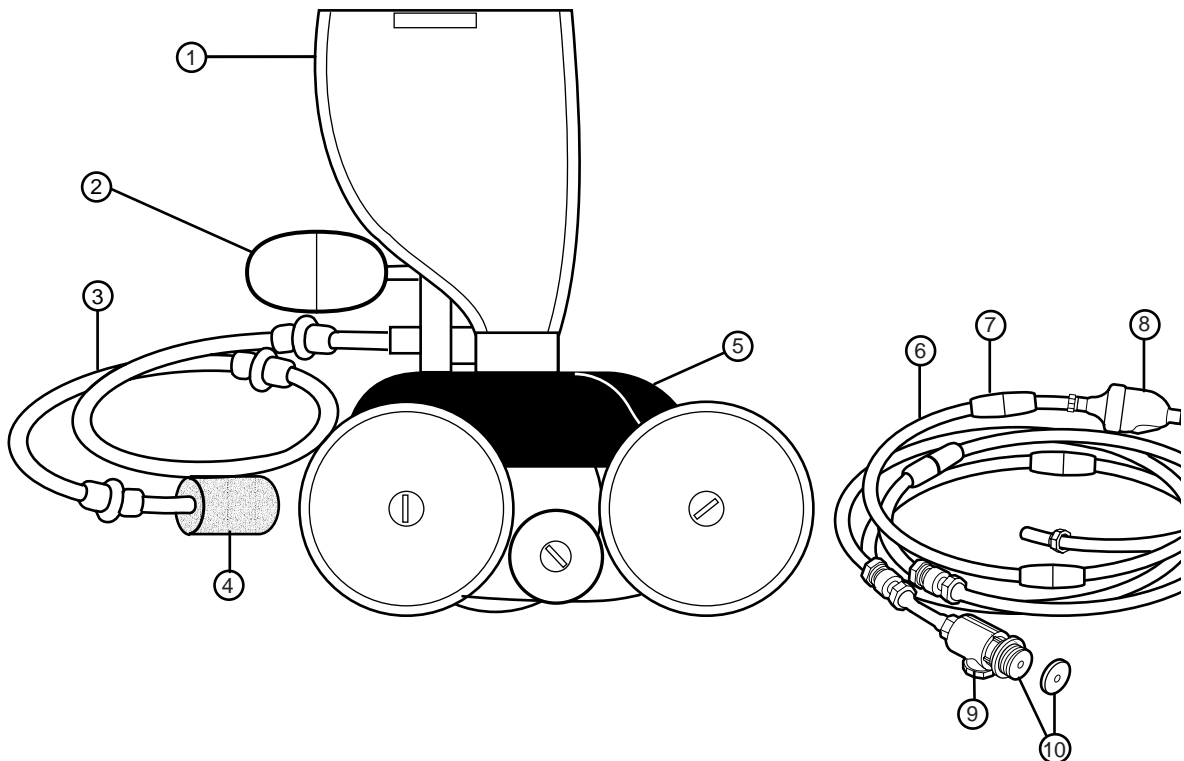
Al igual que muchos dispositivos mecánicos, el Polaris requiere de ajustes y mantenimiento periódico, así como la reposición eventual de algunas piezas de uso muy intensivo. Asegúrese de que el Polaris sea revisado ocasionalmente por su distribuidor local de Polaris o por un centro de servicio autorizado.

Siempre insista en genuinas piezas de repuesto Polaris. Las piezas de otras marcas no están fabricadas a nuestras especificaciones. Podrían afectar adversamente el funcionamiento de su Polaris y hasta dañarlo.

Para lograr los mejores resultados, el Polaris 180 debe ser instalado por un técnico especializado en piscinas. Para personas con experiencia y confianza en el manejo de equipo mecánico y en fontanería, este manual describe el procedimiento de instalación.

Limpiafondos completo Polaris 180

1. Bolsa multipropósito
2. Flotador del cabezal
3. Manguera barredora
4. Restregador de la manguera barredora
5. Cuerpo del limpiafondos
6. Manguera alimentadora
7. Flotadores de la manguera
8. Válvula de retroceso
9. Desconector rápido con conector universal de pared (CUP)
10. Discos restrictores (uno rojo y uno azul)



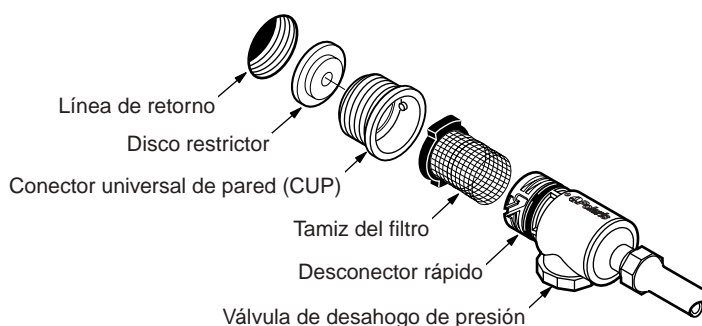
Instrucciones para la instalación rápida

1

Instale el conector universal de pared

El conector universal de pared (CUP) se instala en minutos en piscinas que cuenten con línea exclusiva de retorno para la limpieza y un accesorio hembra de tubería 1-1/2 pulgadas (3,8 cm) con rosca.

1. Encienda la bomba de filtración y purgue la tubería. Apague la bomba.
2. Desatornille el CUP del desconector rápido y atornille el CUP con el restrictor azul en la abertura de retorno.
3. Gire el desconector rápido en el sentido horario para que entre en el CUP y tire hacia afuera para asegurarlo.



2

Ajuste la manguera alimentadora al tamaño de la piscina

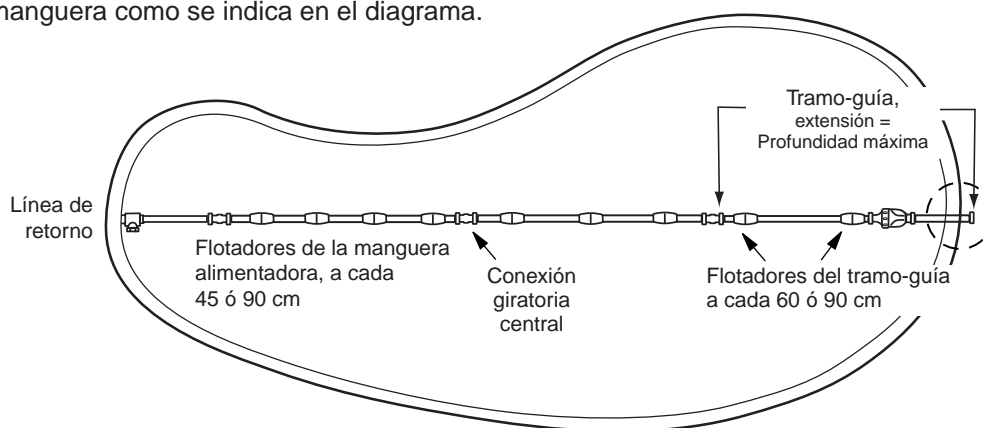
Mida la parte más profunda de la piscina. Corte el tramo-guía de la manguera, en el extremo que se conecta a la manguera alimentadora, de manera que la extensión del tramo-guía sea igual a la profundidad máxima de la piscina.

Conecte el tramo-guía a la manguera alimentadora y conecte la manguera a la línea de retorno en la pared de la piscina. Extienda la manguera hasta el punto más alejado de la piscina. El extremo de la manguera debe quedar entre 15 cm antes de este punto y 15 cm más allá de este punto, tal como se muestra en el círculo punteado del dibujo.

¿Resulta demasiado larga la manguera? Separe la manguera donde se encuentra la conexión giratoria. Corte cantidades iguales del excedente de cada tramo de 3 m.

¿Queda corta la manguera? Compre de un representante autorizado de Polaris un tramo adicional de manguera (Pza. No 9-100-3104), una conexión giratoria (Pza. No D20) y dos tuercas para manguera (Pza. No D15).

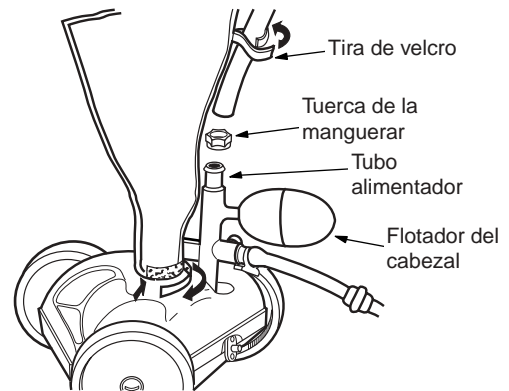
Una vez ajustada la extensión de la manguera, coloque los flotadores de la manguera como se indica en el diagrama.



3

Arme el limpiafondos

1. Use la tuerca para sujetar la manguera alimentadora al conducto de alimentación.
2. Saque la bolsa y coloque la tira de velcro alrededor del tubo alimentador.
3. Coloque el flotador del cabezal 1,3 ó 2,5 cm detrás del conducto de alimentación.
4. Encienda la bomba de filtración de la piscina y permita que cebe antes de encender la bomba reforzadora.

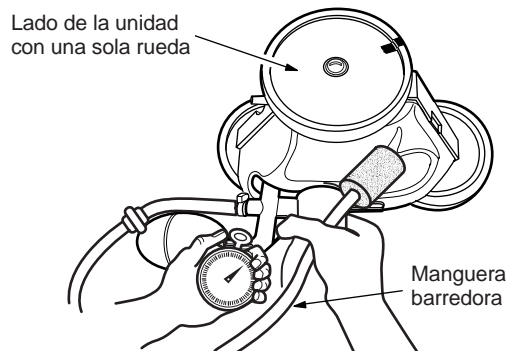


4

Compruebe las RPM de la rueda

Antes de usar el Polaris, asegúrese de que la rueda gire a las revoluciones por minuto (RPM) correctas. Para lograr la máxima eficiencia, el Polaris debiera funcionar entre 28 y 32 RPM.

1. Marque el neumático del lado del limpiafondos que tiene una sola rueda.
2. Encienda la bomba, sostenga el limpiafondos debajo del agua y cuente las revoluciones de la rueda durante un minuto.
3. La velocidad óptima es de entre 28 y 32 RPM.



Si gira a **menos de 28 RPM:**

- Vea si hay suciedad en el tamiz del filtro en el desconector rápido.
- Limpie el skimmer, el filtro y la cesta de la bomba.
- Inspeccione las mangueras, conexiones y rótulas en busca de fugas.
- Quite el disco restrictor azul del CUP.
- Si la bomba reforzadora o línea del limpiafondos cuenta con válvula de desagüe, ábrala por completo para que el agua llegue libremente al Polaris.

Si gira a **más de 32 RPM:**

- Desatornille la válvula reguladora de presión hasta alcanzar las RPM deseadas.
- Si se ha instalado una válvula de desagüe ajustable, ajústela para reducir el flujo de agua al limpiafondos.
- Vuelva a colocar el disco restrictor azul en el CUP con el restrictor rojo.

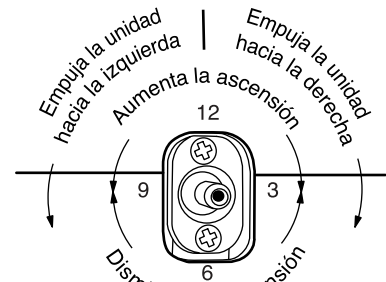
Ajustes menores del limpiafondos Polaris

Al funcionar correctamente, el Polaris aspira, barre y restrega, al azar, todas las superficies de la piscina. La habilidad de escalar del Polaris depende de la configuración de la piscina y de la presión o cantidad del agua. El Polaris sube mejor en piscinas sin curvas o ángulos pronunciados entre el fondo de la piscina y las paredes.

Aproximadamente cada 3 minutos, el Polaris 180 entra en reversa. Esta acción aleja el Polaris de obstáculos en la piscina.

Ajuste del chorro impulsor

El chorro impulsor determina la dirección del Polaris. La posición fijada en la fábrica es la central, pero otras posiciones podrían resultar útiles, según la configuración de la piscina.



Ajuste de la manguera barredora

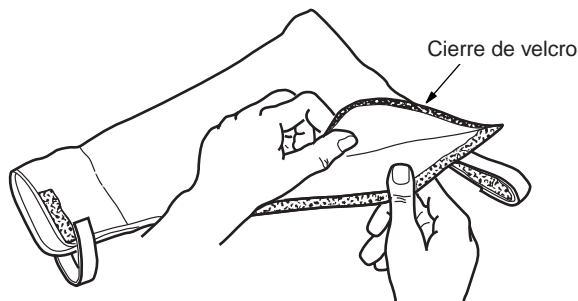
La manguera barredora debiera moverse en una forma de barrido suave. Para aumentar o disminuir su movimiento, apague la bomba reforzadora y gire la rosca de ajuste en la manguera barredora.

Para ajustar otros movimientos, consulte la sección sobre resolución de problemas.

Mantenimiento periódico

Limpieza de la bolsa del filtro

Desprenda la bolsa. Abra la bolsa y deseche la suciedad.



- Siempre que sea posible, vacíe la bolsa del filtro cuando se encuentre medio llena, sobre todo si contiene arena.
- Es más fácil vaciar la bolsa del filtro cuando está seca. Alterne entre dos bolsas. Cuando una se llena, quítela y coloque la bolsa limpia..

Lavado del filtro de la piscina

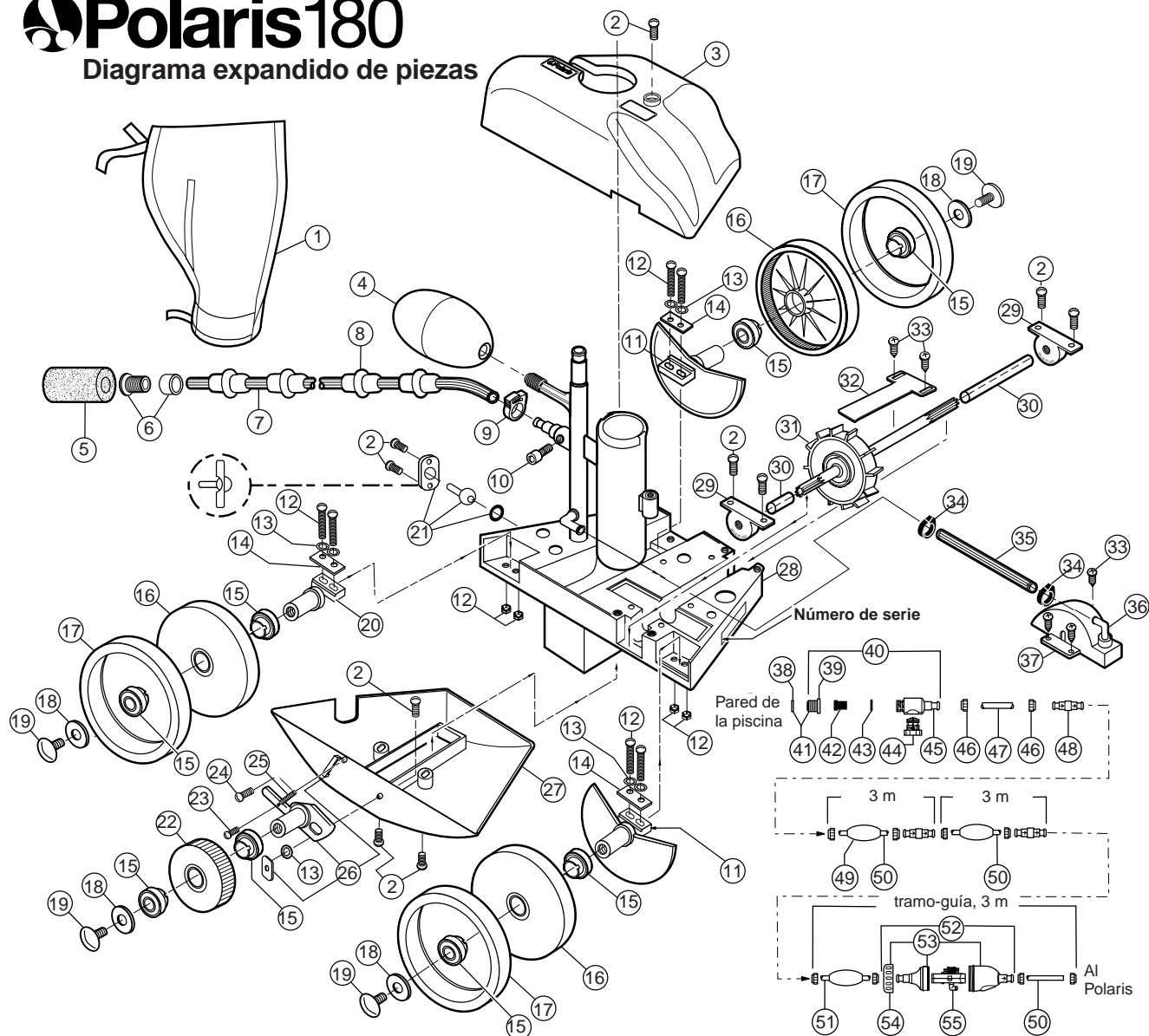
Siempre desconecte el Polaris de la pared de la piscina antes de limpiar o lavar en contracorriente el filtro. Después de limpiarlo o lavarlo, deje que funcione el sistema de filtración al menos durante cinco minutos para purgar plenamente las líneas de retorno, antes de volver a conectar el Polaris.

Almacenaje y preparación para el invierno

Nunca guarde el Polaris exponiéndolo a los rayos directos del Sol. Antes de almacenar el Polaris para el invierno, drene todo el agua del Polaris (La garantía no cubre daños por congelación). Quite el conector universal de pared (CUP) de la pared de la piscina, colocando el desconector rápido y tirando con presión para desenroscarlo. En algunos casos, podría ser necesario utilizar la herramienta para quitar el CUP (pieza 10-102-00), que puede obtener de su distribuidor Polaris participante.

Polaris 180

Diagrama expandido de piezas



Español

No.	No. pieza	Descripción	Cant.	No.	No. pieza	Descripción	Cant.	No.	No. pieza	Descripción	Cant.
1	A16	Bolsa multiusos*	1	20	C65	Eje largo (sólo rueda posterior)	1	40	9-100-9001	Conjunto de conector universal de pared	1
2	C40	Tornillo, 10-32 x 3/8"	10	21	C131	Juego del chorro impulsor	1	41	10-108-00	Juego de restrictores, CUP	1
3	A5	Carcasa superior	1	22	C16	Rueda pequeña	1	42	6-504-00	Tamiz del filtro, CUP/DR	1
4	A20	Flotador, cabezal	1	23	C30	Tornillo, 4-40 x 3/16"	1	43	6-505-00	Anillo espaciador, CUP/DR	1
5	9-100-3105	Frotador, cola barredora*	1	24	C32	Tornillo, 6-32 x 1/2"	1	44	9-100-9002	Válvula reguladora de presión, negra	1
6	B25	Casquillo de orificio con protector	1	25	C25	Muelle para C36	1	45	D29	Desconector rápido (DR), CUP	1
7	B5	Manguera barredora completa*	1	26	C36	Juego de eje oscilador	1	46	D15	Tuerca, manguera alimentadora	10
8	B10	Anillo protector*	8	27	A10	Carcasa inferior con abrazadera	1	47	**	Manguera adaptadora, 21,6 cm	1
9	B15	Abrazadera, manguera barredora	1	28	C145	Carcasa completa	1	48	D20	Conexión giratoria, rodamiento	3
10	B20	Rosca de ajuste, manguera barredora	1	29	C80	Rodamiento, turbina	2	49	D10	Flotador, manguera alimentadora	9
11	C66	Eje largo (con protector de arena y grava)	2	30	C83	Cilindro de eje de turbina	1	50	D45	Manguera alimentadora, 3 m	2
12	C75	Tornillo y tuerca, 10-32 x 7/8"	6	31	C86	Conjunto del eje de transmisión	1	51	D50	Manguera alimentadora, tramo-guía, 3 m	1
13	C45	Arandela de cierre para C36	7	32	A40	Protector del eje de la turbina	1	52	G52	Conjunto de válvula de retroceso	1
14	C70	Placa de eje para C65 y C66	3	33	A30	Tornillo, 10 x 1/2"	5	53	G54	Juego de estuche para G52	1
15	C60	Rodamiento, rueda	8	34	9-100-7170	Abrazadera de manguera para el SDA	2	54	G57	Collarín, válvula de retroceso	1
16	C6	Rueda grande (no incluye rodamientos)	3	35	C120	Manguera para C110, 19 cm	1	55	G53	Mecanismo para G52	1
17	C10	Neumático, MaxTrax®*	3	36	C115	Codo para C110 o tubo para mástil de alimentación	2				
18	C64*	Arandela de rueda, plástico	4	37	C110	Cubierta de turbina con codo	1				
19	C55*	Tornillo de rueda, plástico	4	38	10-112-00	Disco restrictor, CUP, rojo y azul	2				
				39	6-500-00	Conector universal de pared (CUP)	1				

* Los componentes sujetos a desgaste no quedan comprendidos por la garantía.

Resolución de problemas

Si el limpiafondos Polaris muestra cualquiera de las siguientes acciones, podrían resultar necesarios algunos ajustes para lograr el máximo rendimiento. Consulte el despiece para ver las piezas cuyos números están indicados en paréntesis.

Acción: Se atasca más de 3 minutos en los escalones u otros obstáculos.

- Solución:
1. Compruebe las RPM de la rueda.
 2. Verifique que la válvula de retroceso (Pza. 52) esté ciclando.
 3. Ajuste el chorro impulsor (Pza. 21).
 4. Retire de la piscina los aditamentos innecesarios o instale placas protectoras para escalerilla (Pida de un distribuidor Polaris la pieza G-21).

Acción: El Polaris se muestra muy lento, con menos potencia que lo normal.

- Solución:
1. Inspeccione el tamiz del filtro (Pza. 42) en el desconector rápido (Pza. 45) y, de ser necesario, límpielo.
 2. Limpie la cesta del skimmer, la cesta de la bomba y el filtro de la piscina.
 3. Inspeccione todas las mangueras, conexiones y rótulas (Pza. 48) para ver si hay fugas que pudieran provocar una pérdida de presión del agua.
 4. Compruebe las RPM de la rueda.

Acción: El Polaris corre por la piscina a velocidad excesiva o no hace contacto con el fondo.

- Solución:
1. Compruebe las RPM de la rueda. Si exceden de 32 RPM, desenrosque la válvula de desahogo (Pza. 44) de presión para reducir la cantidad de agua que llega al limpiafondos.
 2. Verifique que el disco restrictor color azul se encuentre instalado en el CUP para reducir el flujo del agua. O instale el disco restrictor rojo para reducir el flujo aún más.
 3. Verifique que la válvula de retroceso (Pza. 52) esté ciclando. Sostenga la válvula fuera del agua y observe el chorro. Debe salir y desaparecer en forma intermitente.

Acción: El Polaris no retrocede.

- Solución:
1. Verifique que la válvula de retroceso (Pza. 52) esté ciclando.
 2. Compruebe las RPM de la rueda.
 3. Si la bolsa (Pza. 1) se encuentra llena, vacíela.
 4. Si el flotador de la cabeza (Pza. 4) tiene agua, reemplácelo.
 5. Asegúrese que la manguera alimentadora esté flotando.

Acción: El Polaris gira siempre en el mismo sentido.

- Solución:
1. Ajuste el chorro impulsor (Pza. 21).
 2. Asegúrese que la manguera alimentadora esté flotando.

Acción: La manguera alimentadora se atasca.

- Solución:
1. Vuelva a medir la manguera para verificar que se ha ajustado al tamaño correcto, de acuerdo con la configuración de la piscina.
 2. Con el Polaris funcionando, verifique que las rótulas (Pza. 48) en la manguera y las conexiones de la manguera giran libremente.
 3. Asegúrese que la manguera alimentadora esté flotando.
 4. Con el Polaris apagado, haga girar cada una de las ruedas. Todas deben girar al mismo tiempo.

Acción: La manguera barredora es succionada por el tubo de aspiración.

- Solución:
1. Verifique que el restregador (Pza. 7) no ha obstruido la abertura al final de la manguera barredora (Pza. 5).
 2. Ajuste la manguera barredora (Pza. 7) hasta lograr movimientos amplios y suaves.

Acción: La manguera barredora constantemente rocía agua fuera de la piscina.

- Solución:
1. Ajuste la velocidad de la manguera barredora (Pza. 7), apretando el tornillo de ajuste.
 2. Reemplace el restregador de la manguera barredora (Pza. 5) si falta o se encuentra desgastado.
 3. Agregue una pesa para la manguera barredora (pida la pieza B-2) para impedir que la manguera rocíe agua.

Acción: El limpiafondos no limpia toda la piscina.

- Solución:
1. Verifique que la extensión de la manguera quede dentro de 15 cm del punto más alejado de la piscina.
 2. Vea si el chorro impulsor se encuentra en la posición central, que es la óptima para realizar giros al azar.
 3. Sostenga el limpiafondos boca abajo mientras se encuentre funcionando e inspeccione el tubo de aspiración. Debe verse claramente un chorro de agua. De lo contrario, comuníquese con la oficina de atención a clientes o con un centro de servicio autorizado de Polaris.

Acción: El limpiafondos está de lado, girando en círculos.

- Solución:
1. Inspeccione la bolsa del filtro. Si está llena, puede desequilibrar el limpiafondos.
 2. Quite el flotador del cabezal (Pza. 4) y sacúdalo. Si hay agua en el flotador, pida un flotador nuevo.
 3. Inspeccione los flotadores de la manguera para asegurar que se encuentren separados uniformemente.

Informazioni importanti

- Scollegare sempre il Polaris dalla parete della piscina quando si pulisce o si lava il suo filtro.
- Dopo avere pulito o lavato il filtro, lasciare che l'impianto di filtrazione funzioni per almeno cinque minuti prima di ricollegare il Polaris.
- Le tubature nuove devono essere lavate a fondo prima di installare il Polaris.
- Il Polaris non va utilizzato per rimuovere la polvere dell'intonaco di una piscina nuova.
- Togliere sempre il Polaris dalla piscina prima che vi entrino i bagnanti.
- Non maneggiare mai il Polaris quando è in funzione a meno che non si debba controllare l'RPM (numero di giri al minuto) delle ruote.
- Togliere sempre il Polaris dalla piscina prima di trattare l'acqua con agenti chimici.

Per assistenza clienti o supporto

- Si prega di inviare immediatamente la cartolina della garanzia
- Per supporto on-line www.polarispool.com
- Per contattare la Polaris:

US and Canada

Customer Service
2620 Commerce Way
Vista, CA 92081-8438
1-800-822-7933

Australia

Unit 4, 19-21 Gibbes Street,
Chatswood, NSW 2067
1-300-POLARIS
ACN 080 168 092

Europe

C/Osana s/n.
(Pol.End.El Ramassar),
98520 Les Franqueses del Vallés
Barcelona, Spain
+34 93 840 25 85

Polaris Vac-Sweep® 180 Garanzia

Lei ha scelto la marca Polaris Vac-Sweep 180 e noi perciò la ringraziamo per la sua fiducia. Questo prodotto è stato ideato, prodotto e controllato con la massima cura per garantirne la completa soddisfazione.

La durata della garanzia è fissata ad 2 annos a partire dalla data di fatturazione al primo utente..

AVVERTENZA: USO DEL POLARIS IN UNA PISCINA CON RIVESTIMENTO IN VINILE

Certi rivestimenti in vinile hanno dei disegni che sono particolarmente suscettibili a usura superficiale rapida o a cancellazione del disegno causati dal contatto con vari oggetti, compreso spazzole, giocattoli acquatici, galleggianti, fontane, distributori per la clorazione e dispositivi automatici per la pulizia di piscine. I disegni di alcuni rivestimenti in vinile possono venire seriamente danneggiati con graffiature semplicemente strofinando la superficie con una spazzola per piscine. L'inchiostro del disegno può anche cancellarsi durante l'installazione o quando viene a contatto di oggetti posti nella piscina. La Polaris non assume responsabilità per la cancellazione, abrasione o segnatura di un rivestimento in vinile e tali danni non sono coperti dalla garanzia limitata.

Introduzione

Congratulazioni per l'acquisto di un nuovo dispositivo di pulizia automatica per piscine e grazie di avere scelto un Polaris. Il Polaris Vac-Sweep 180 è stato progettato per fornire anni di servizio affidabile ed efficiente.

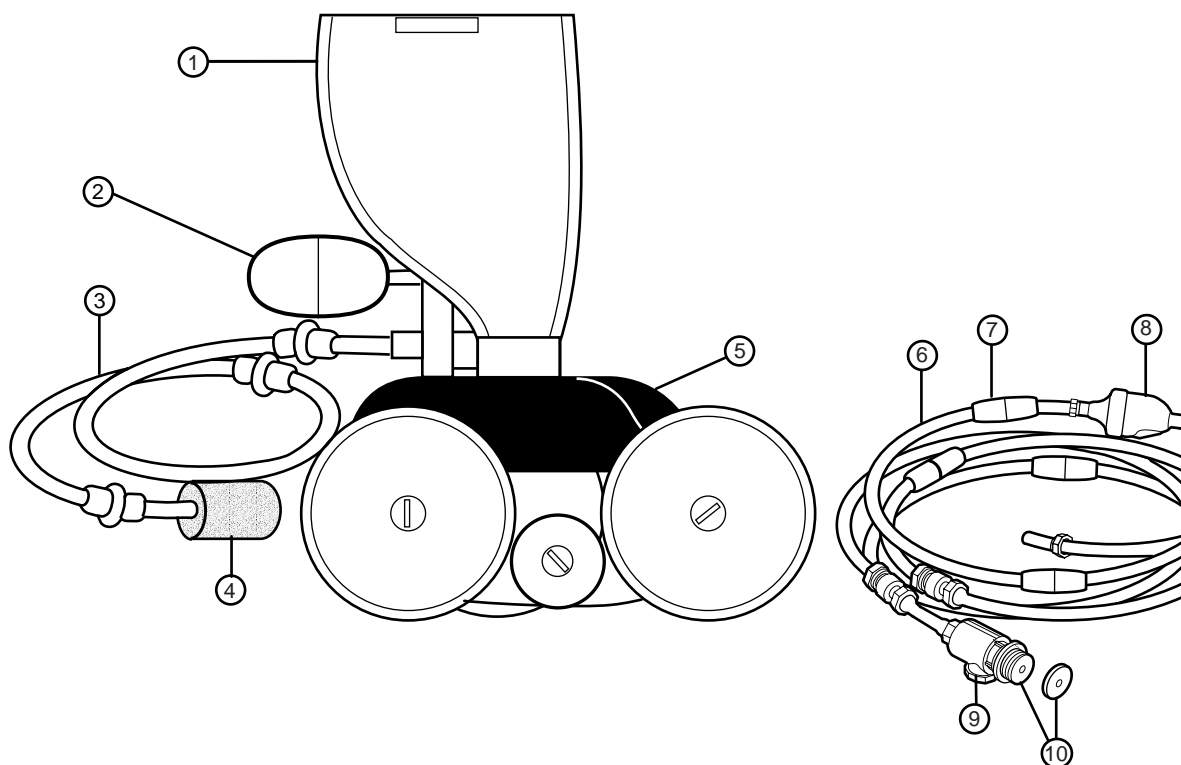
Come tutti i dispositivi meccanici, il Polaris richiede regolazioni periodiche, una manutenzione regolare e la sostituzione di certe parti sottoposte a lavoro pesante. Accertarsi che il Polaris venga controllato di tanto in tanto da parte del rivenditore Polaris locale o di un centro di servizio autorizzato.

Richiedere sempre che vengano usate parti di ricambio originali Polaris. Pezzi di ricambio di altre marche non sono prodotti secondo le specifiche della fabbrica. Tali pezzi possono influire in modo negativo sulle prestazioni del Polaris e possono anche danneggiarlo.

Per ottenere i risultati migliori, il Polaris 180 deve essere installato da un tecnico specializzato. Questo manuale descrive come installare il dispositivo per persone che hanno esperienza e dimestichezza con impiegati idraulici e attrezzature meccaniche.

Il dispositivo di pulizia completo Polaris 180

1. Sacco multiuso
2. Galleggiante di testa
3. Tubo flessibile di pulizia
4. Spazzola del tubo flessibile di pulizia
5. Corpo del dispositivo di pulizia
6. Tubo flessibile di alimentazione
7. Galleggianti dei tubi flessibili
8. Valvola di rigurgito
9. Dispositivo di sconnessione rapida con raccordo a parete universale
10. Dischi limitatori del flusso (uno rosso e uno blu)

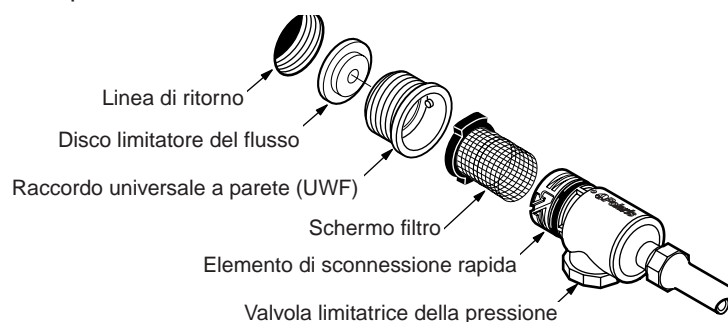


Istruzioni per una rapida installazione

1 Installazione del raccordo a parete universale

Si installa nel giro di pochi minuti nelle piscine dotate di linea di ritorno dedicate per il dispositivo di pulizia e di un raccordo filettato femmina da 1 pollice e 1/2 (3,8 cm).

1. Accendere la pompa di filtraggio della piscine e lavare a fondo la tubatura. Spegnerla la pompa.
2. Rimuovere il raccordo a parete universale (UWF) dal dispositivo di sconnessione rapida e avvitarlo con il disco limitatore blu inserito nella porta di ritorno.
3. Inserire il dispositivo di sconnessione rapida nell'UWF girando in senso orario e tirare verso di sé per fissare.



2 Regolazione della lunghezza del tubo di alimentazione in modo che si adatti a quella della piscina

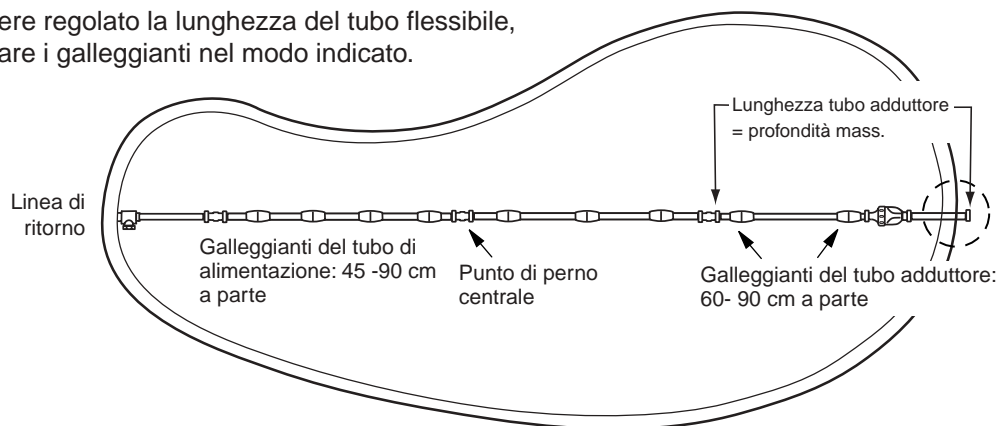
Misurare dalla parte più profonda della piscina. Tagliare il tubo adduttore dall'estremità che si collega al tubo di alimentazione, in modo che la sua lunghezza sia uguale a quella della parte più profonda della piscina.

Collegare il tubo adduttore a quello di alimentazione e quindi collegare l'insieme alla parete della piscina in corrispondenza della linea di ritorno. Estendere il tubo al punto più distante della piscina. L'estremità del tubo deve rientrare entro 15 cm, più o meno, del punto più distante. Vedere il cerchio punteggiato.

Il tubo è troppo lungo? Separare il tubo in corrispondenza del punto di perno. Tagliare lunghezze uguali dell'eccedenza da ognuna delle sezioni di 10 piedi (3 m).

Il tubo è troppo corto? Acquistare presso il rivenditore Polaris autorizzato una sezione supplementare di tubo di alimentazione (parte n. 9-100-3104), una parte di perno (parte n. D20) e due dadi da tubo (parte n. D15).

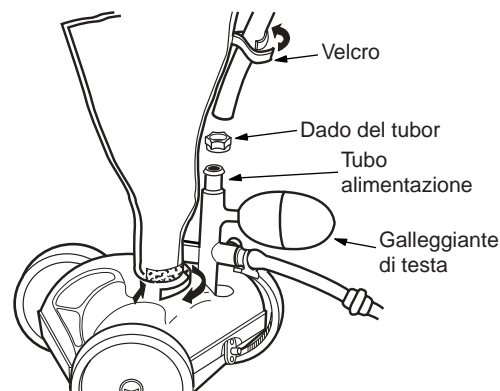
Dopo avere regolato la lunghezza del tubo flessibile, posizionare i galleggianti nel modo indicato.



3

Montaggio del dispositivo di pulizia

1. Usare il dado per collegare il tubo di alimentazione alla tubatura di alimentazione.
2. Estrarre il sacco e serrare la fascetta con chiusura a velcro sul tubo di alimentazione.
3. Sistemare il galleggiante di testa alla distanza di 1,30-2,5 cm dalla tubazione di alimentazione.
4. Accendere la pompa di filtrazione della piscina e lasciare che si adeschi prima di accendere la pompa ausiliaria.

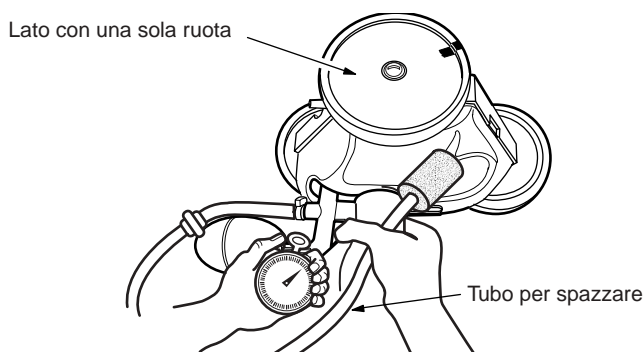


4

Controllo dell'RPM delle ruote

Prima di mettere in funzione il Polaris, controllare che il numero di giri al minuto (RPM) delle ruote sia corretto. Per ottenere i risultati migliori, il Polaris deve operare con un RPM tra 28 e 32.

1. Marcare la gomma della ruota a un solo lato.
2. Accendere la pompa, tenere il dispositivo di pulizia sotto il livello dell'acqua e contare il numero di giri per la durata di un minuto.
3. La velocità ottimale è tra 28 e 32 RPM.



Se il conteggio risulta **inferiore a 28**:

- Controllare il filtro nel dispositivo di sconnessione rapida per verificare che non ci siano detriti.
- Pulire lo skimmer, il filtro e il cestello della pompa.
- Controllare il tubo flessibile, le connessioni e gli snodi per accertarsi che non ci siano perdite.
- Togliere il disco limitatore del flusso blu dall'UWF.
- Se è stata installata una valvola a saracinesca regolabile sulla pompa ausiliaria o sulla linea del dispositivo di pulizia, aprirla completamente in modo che l'acqua fluisca liberamente nel Polaris.

Se il conteggio risulta **superiore a 32**:

- Svitare la valvola limitatrice della pressione sino a quando non si raggiunga il numero RPM corretto.
- Se è stata installata una valvola a saracinesca regolabile, regolarla in modo da ridurre la portata d'acqua al Polaris.
- Nell'UWF, sostituire il disco limitatore del flusso blu con quello rosso.

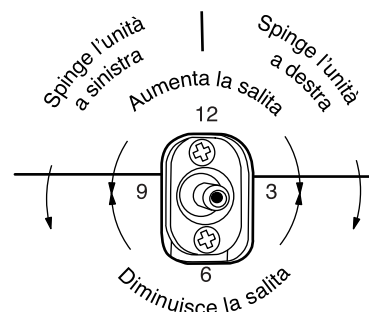
Ottimizzazione della messa a punto del Polaris

Quando funziona in modo corretto, il Polaris aspira, pulisce e spazza tutta la superficie della piscina con movimento casuale. La capacità del Polaris di salita lungo le pareti dipende da com'è sagomata la piscina e dalla pressione o dalla portata dell'acqua. Il dispositivo si arrampicherà meglio nelle piscine che non hanno angolature o curvature strette nel passare dal fondo alle pareti della piscina.

Il Polaris 180 si mette in retromarcia circa ogni 3 minuti. Ciò permette al Polaris di togliersi via da eventuali ostacoli.

Regolazione del getto di manovra

Il getto di manovra spinge il Polaris nella sua direzione. La posizione predefinita alla fabbrica è diritto verso il retro, però altre impostazioni possono dimostrarsi più convenienti secondo la piscina.



Regolazione del tubo flessibile di pulizia

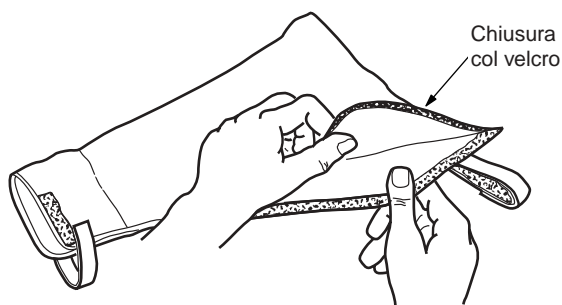
Il tubo flessibile di pulizia deve muoversi con un gentile movimento. Per aumentare o diminuire il movimento, spegnere la pompa ausiliaria e ruotare la vite di regolazione del tubo di pulizia.

Per altre regolazioni, vedere Individuazione e soluzione dei problemi.

Manutenzione regolare

Pulizia del sacco del filtro

Staccare il sacco. Aprire il sacco e scartare i detriti.



- Quando possibile, svuotare il sacco quando è pieno a metà, specialmente se lo sporco all'interno consiste di sabbia.
- È più facile svuotare il sacco quando è asciutto. Usare due sacchi alternandoli. Quando un sacco è pieno, toglierlo e sostituirlo con quello pulito.

Lavaggio del filtro della piscina

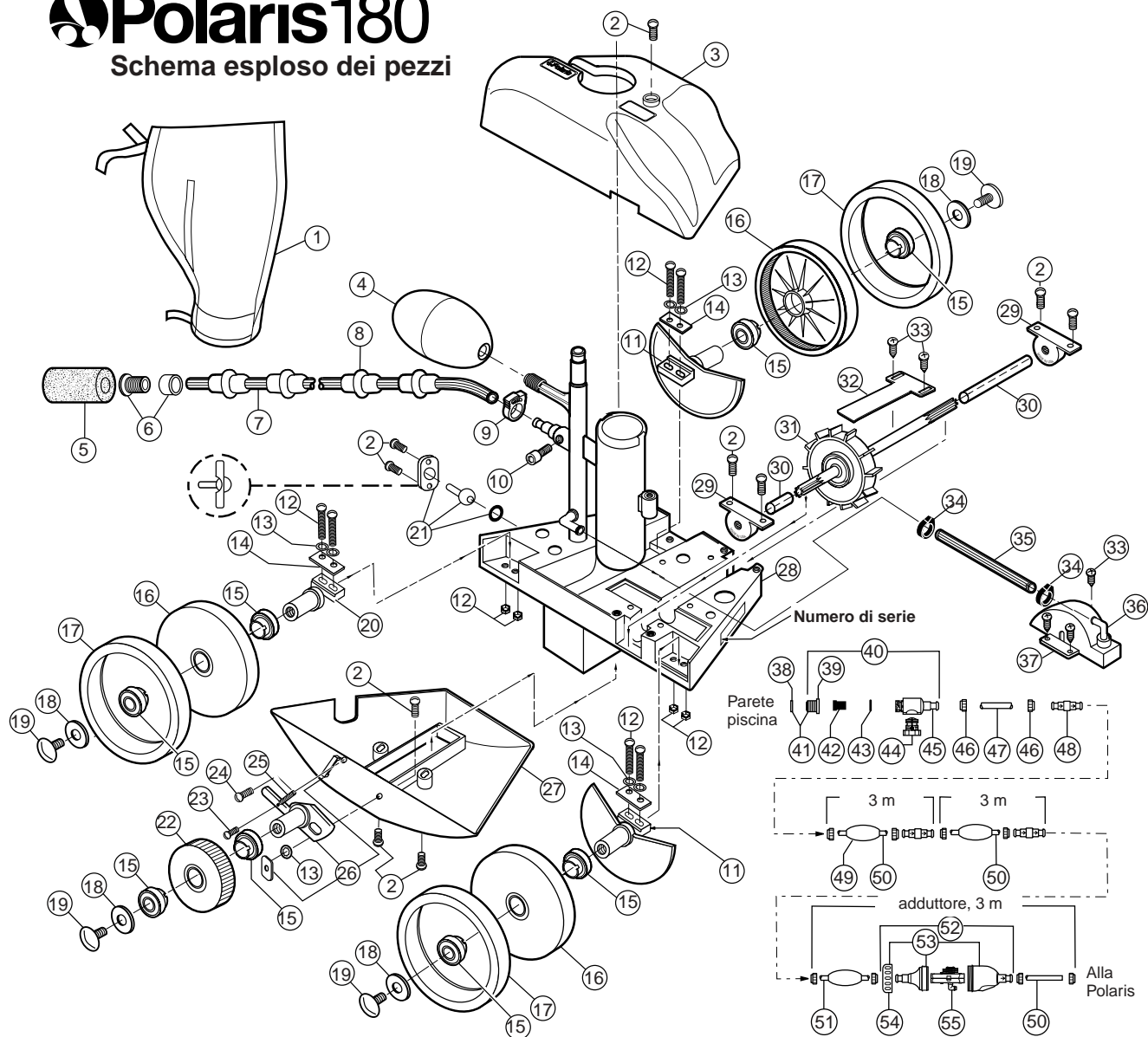
Scollegare sempre il Polaris dalla parete della piscina prima di pulire o lavare il suo filtro. Dopo avere pulito o lavato il filtro, lasciare che l'impianto di filtrazione funzioni per almeno cinque minuti prima di ricollegare il Polaris, in modo da lavare a fondo le linee di ritorno.

Conservazione e preparazione per l'inverno

Non conservare mai il Polaris alla luce diretta del sole. Quando si ripone per l'inverno, togliere completamente dall'acqua (i danni dovuti al ghiaccio non sono coperti dalla garanzia). Togliere IUWF dalla parete della piscina collegando il dispositivo di sconnessione rapida e tirando per svitare. In certi casi può rendersi necessario l'uso dell'utensile per la rimozione dell'UWF (parte n. 10-102-00) disponibile presso i rivenditori Polaris.

Polaris180

Schema esploso dei pezzi



N.	Pezzo n.	Descrizione	Quantità	N.	Pezzo n.	Descrizione	Quantità	N.	Pezzo n.	Descrizione	Quantità
1	A16	Sacco d'impiego generale*	1	20	C65	Asse, grande (solo ruota posteriore)	1	39	6-500-00	Raccordo a parete universale (UWF)	1
2	C40	Vite, 10-32 x 3/8 di pollice	10	21	C131	Kit getto di manovra	1	40	9-100-9001	Gruppo connettore dell'UWF	1
3	A5	Parte superiore	1	22	C16	Ruota di trascinamento, piccola	1	41	10-108-00	Kit di limitazione dell'UWF	1
4	A20	Galleggiante di testa	1	23	C30	Vite, 4-40 x 3/16 di pollice	1	42	6-504-00	Retino filtro, UWF/sconnessione rapida	1
5	9-100-3105	Spazzola del tubo di pulizia*	1	24	C32	Vite, 6-32 x 1/2 di pollice	1	43	6-505-00	O-ring, UWF/sconnessione rapida	1
6	B25	Punta dell'orifizio con protezione	1	25	C25	Molla per C36	1	44	9-100-9002	Valvola limitatrice della pressione	1
7	B5	Tubo di pulizia completo*	1	26	C36	Kit asse di oscillazione	1	45	D29	Dispositivo di scconnessione rapida, UWF	1
8	B10	Anelli di consumo*	8	27	A10	Base con staffa	1	46	D15	Dado, tubo di alimentazione	10
9	B15	Morsetto di attacco del tubo di pulizia	1	28	C145	Telaio	1	47	**	Tubo adattatore, 21,6 cm	1
10	B20	Vite di regolazione, tubo di pulizia	1	29	C80	Cuscinetti a sfere, turbina	2	48	D20	Parte girevole, cuscinetto a sfere	3
11	C66	Asse, grande (con protezione per sabbia/ghiaia)	2	30	C83	Tubature albero turbina	1	49	D10	Galleggiante, tubo di alimentazione	9
12	C75	Vite/dado, 10-32 x 7/8 di pollice	6	31	C86	Gruppo albero motore	1	50	D45	Tubo di alimentazione, 3 m	2
13	C45	Rosetta di sicurezza per C36	7	32	A40	Schermo albero turbina	1	51	D50	Tubo di alimentazione, adduttore, 13 m)	1
14	C70	Piastra dell'asse per C65/C66	3	33	A30	Vite, 10 x 1/2 di pollice	5	52	G52	Kit valvola di rigurgito	1
15	C60	Cuscinetti a sfere, ruote	8	34	9-100-7170	Morsetto tubo per WMS	2	53	G54	Kit astuccio per G52	1
16	C6	Ruota, grande (senza cuscinetto)	3	35	C120	Tubo per C110, 19 cm	1	54	G57	Collare, valvola di rigurgito	1
17	C10	Pneumatico, MaxTrax® *	3	36	C115	Gomito per C110 o tubo albero alimentazione	2	55	G53	Meccanismo per G52	1
18	C64	Rosetta ruota, plastica	4	37	C110	Copertura turbina con gomito	1				
19	C55	Vite ruota, plastica	4	38	10-112-00	Dischi restrizione, rosso e blu	2				

* Gli articoli di consumo sono esclusi dalla garanzia.

Individuazione e soluzione dei problemi

Se il dispositivo di pulizia Polaris presenta spesso un numero qualsiasi dei sintomi seguenti, può rendersi necessario eseguire delle regolazioni per ripristinare le prestazioni. Riferirsi allo schema esploso dei pezzi individuabili tramite il numero indicato in parentesi.

Azione: si ferma contro un gradino o altro ostacolo per più di 3 minuti.

- Soluzione:
1. Controllare l'RPM.
 2. Verificare che la valvola di rigurgito (n. 52) funzioni.
 3. Regolare il getto di manovra (n. 21).
 4. Togliere dalla piscine tutti gli oggetti estranei o installare un kit di protezione scaletta (ordinare la parte n. G21 presso il rivenditore Polaris).

Azione: I Polaris è lento e si muove con meno potenza del solito.

- Soluzione:
1. Controllare il filtro (n. 42) nel dispositivo di sconnessione rapida (n. 45) e pulire se necessario.
 2. Pulire il cesto dello skimmer, quello della pompa e il filtro della piscina.
 3. Controllare tutti i tubi flessibili, le connessioni e gli snodi (n. 48) per accertarsi che non ci siano perdite che potrebbero causare una perdita di pressione dell'acqua.
 4. Controllare l'RPM.

Azione: il Polaris vola in giro per la piscina e/o non viene in contatto con il fondo.

- Soluzione:
1. Controllare l'RPM. Se l'RPM è superiore a 32, svitare la valvola limitatrice della pressione (n. 44) e ridurre la porta dell'acqua nel dispositivo di pulizia.
 2. Controllare che il disco limitatore del flusso sia stato installato nell'UWF in modo da ridurre la portata. Oppure, installare il disco limitatore rosso per ridurre ulteriormente il flusso.
 3. Verificare che la valvola di rigurgito (n. 52) funzioni. Tenere la valvola fuori dell'acqua e osservare il getto. Il getto dovrebbe uscire un momento sì e uno no.

Azione: il Polaris non va in retromarcia.

- Soluzione:
1. Verificare che la valvola di rigurgito (n. 52) funzioni.
 2. Controllare l'RPM.
 3. Svotare il sacco (n. 1) se è pieno.
 4. Sostituire il galleggiante di testa (n. 4) se ha acqua all'interno.
 5. Accertarsi che il tubo di alimentazione galleggi.

Azione: il Polaris si gira solo in una direzione.

- Soluzione:
1. Regolare il getto di manovra (n. 21).
 2. Accertarsi che il tubo di alimentazione galleggi.

Azione: il tubo di alimentazione si ingarbuglia.

- Soluzione:
1. Misurare di nuovo la lunghezza del tubo per controllare che sia corretta per il tipo di piscina.
 2. Con il Polaris in funzione, controllare che gli snodi (n. 48) e le connessioni del tubo girino liberamente.
 3. Accertarsi che il tubo di alimentazione galleggi.
 4. Girare tutte le ruote con il Polaris spento. Le ruote devono girare tutte assieme.

Azione: il tubo di pulizia viene succhiato nel tubo di aspirazione.

- Soluzione:
1. Accertarsi che l'apertura all'estremità del tubo di pulizia (n. 7) non sia bloccata dalla spazzola (n.5).
 2. Regolare il tubo di pulizia (n. 7) in modo che si sposti con movimento gentile.

Azione: il tubo di pulizia continua a spruzzare acqua fuori della piscina.

- Soluzione:
1. Regolare la velocità del tubo di pulizia (n. 7) stringendo la vite di regolazione.
 2. Sostituire la spazzola del tubo di pulizia (n.5) se si fosse consumata o persa.
 3. Aggiungere un peso (ordinare la parte n. B2) per impedire che il tubo di pulizia spruzzi.

Azione: il dispositivo di pulizia non pulisce l'intera piscina.

- Soluzione:
1. Controllare che la lunghezza del tubo sia entro 15 cm del punto più lontano della piscina.
 2. Per ottimizzare la casualità di spostamento, controllare

che il getto di manovra sia in posizione diritta verso il retro.

3. Tenere il dispositivo di pulizia capovolto mentre è in funzione e guardare nel tubo di aspirazione. Dovrebbe esserci un getto d'acqua ben distinto. Se non ci fosse, mettersi in contatto con l'Assistenza Clienti o con un Centro di Assistenza Polaris.

Azione: il dispositivo di pulizia si sposta in circolo su di un lato.

- Soluzione:
1. Controllare il sacco del filtro; se è pieno può appesantire troppo il dispositivo di pulizia su di un lato.
 2. Togliere il galleggiante di testa (n. 4) e scuoterlo. Se vi è entrata acqua, ordinare un galleggiante nuovo.
 3. Controllare i galleggianti del tubo flessibile per accertarsi che siano equidistanti.

Informações importantes

- Sempre que limpar ou retrolavar o filtro da piscina, desconecte o Polaris da parede da piscina.
- Depois de limpar ou retrolavar, deixe o sistema de filtro funcionar durante, pelo menos, 5 minutos antes de voltar a conectar o Polaris.
- Purgue a tubulação nova antes de instalar o Polaris.
- Não use o Polaris para retirar resíduos de argamassa de piscinas novas.
- Retire sempre o Polaris antes que alguém use a piscina para nadar.
- Excepto quando medir a rotação (rpm) da roda, não mexa no Polaris durante o seu funcionamento.
- Retire sempre o Polaris da piscina antes de qualquer tratamento químico intensivo (choque).

Para contactar o serviço técnico ou a assistência ao cliente:

- Envie o cartão da garantia imediatamente.
- Assistência on-line: www.polarispool.com
- Para entrar em contacto com a Polaris:

US and Canada

Customer Service
2620 Commerce Way
Vista, CA 92081-8438
1-800-822-7933

Australia

Unit 4, 19-21 Gibbes Street,
Chatswood, NSW 2067
1-300-POLARIS
ACN 080 168 092

Europe

C/Osana s/n.
(Pol.End.El Ramassar),
98520 Les Franqueses del Vallés
Barcelona, Spain
+34 93 840 25 85

Polaris Vac-Sweep® 180 Garantia

Agradecemos a sua escolha e confiança depositada na marca Polaris Vac-Sweep 180. Este produto foi concebido, fabricado e verificado usando do maior cuidado para assegurar completa satisfação.

A garantia é válida por 2 anos a partir da data de facturação ao primeiro utilizador.

ATENÇÃO: UTILIZAÇÃO DO POLARIS 180 EM PISCINAS DE VINIL

Alguns padrões de revestimento de vinil são particularmente susceptíveis a um desgaste rápido da superfície ou ao desaparecimento do padrão causado por objectos que entram em contacto com a superfície de vinil, incluindo escovas de piscina, brinquedos, bóias, fontes, distribuidores flutuantes de cloro e aspiradores automáticos de piscinas. Alguns padrões de revestimento de vinil podem ficar bastante arranhados ou gastos devido à simples acção de escovar a superfície com uma escova de limpar piscinas. A tinta do acabamento do padrão também pode sair durante o processo de instalação ou quando entra em contacto com objectos na piscina. A Polaris não assume responsabilidade nem a Garantia Limitada cobre remoções do acabamento, abrasões ou marcas no revestimento de vinil.

Introdução

Parabéns pela aquisição do seu novo aspirador automático de piscina. Agradecemos a sua escolha do Polaris. O Polaris Vac-Sweep 180 foi concebido para funcionar de modo eficiente e seguro durante muitos anos.

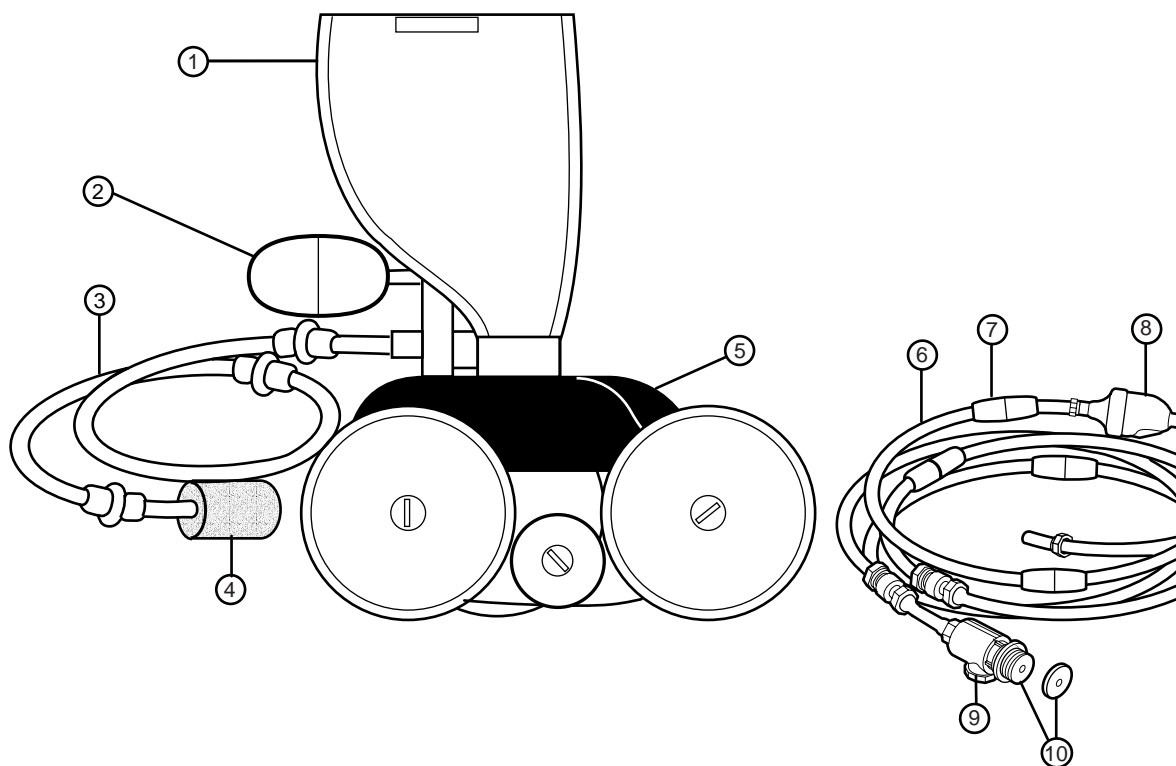
Como a maioria dos aparelhos mecânicos, o Polaris necessita de ajustes periódicos, manutenção de rotina e substituição de certas peças muito usadas. O Polaris deve ocasionalmente passar por uma revisão no distribuidor local da Polaris ou numa oficina autorizada.

Insista sempre na aplicação de peças originais Polaris. As peças não-originais da Polaris não são fabricadas de acordo com nossas especificações. Tais peças podem prejudicar o funcionamento do Polaris ou até mesmo danificá-lo.

Para se obter melhores resultados, o Polaris 180 deverá ser instalado por um profissional especializado em piscinas. Os indivíduos com experiência e destreza no que respeita a trabalhos de canalização e equipamento mecânico, poderão recorrer ao manual onde a respectiva instalação se encontra descrita.

Aspirador completo Polaris 180

1. Saco multiuso
2. Bóia do cabeçote
3. Mangueira de aspiração
4. Escova da mangueira de aspiração
5. Corpo do aspirador
6. Mangueira de alimentação
7. Bóias da mangueira
8. Válvula de retrocesso
9. Desconexão rápida com conexão universal de parede
10. Discos restritores (um vermelho e um azul)



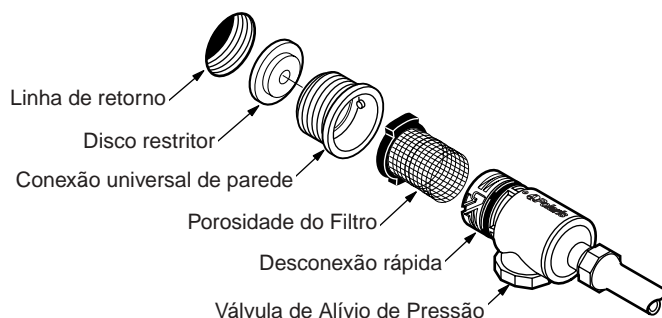
Instruções para instalação rápida

1

Instale a conexão universal de parede

Pode ser instalado em poucos minutos em piscinas com uma linha exclusiva de retorno do aspirador e um encaixe de tubagem fêmea roscado de 3,8 cm (1,5 pol.).

1. Ligue a bomba de filtragem da piscina e purgue a canalização. Desligue a bomba.
2. Retire a conexão universal de parede da desconexão rápida e enrosque a conexão universal de parede com o disco restritor na abertura de retorno.
3. Rode a desconexão rápida no sentido dos ponteiros dum relógio dentro da conexão universal e puxe para fora para prender a conexão.



2

Ajuste a mangueira de alimentação de acordo com o comprimento da piscina

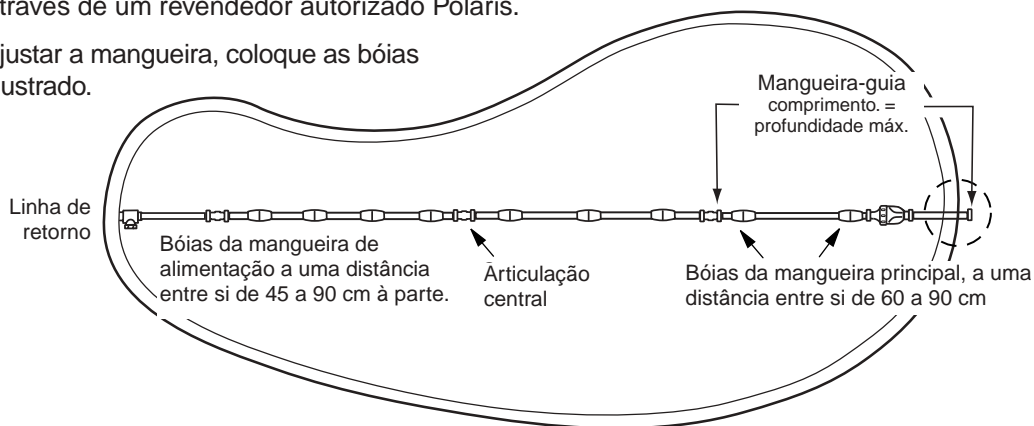
Meça a parte mais funda da piscina. Corte a mangueira-guia, na extremidade que se conecta à mangueira de alimentação, de maneira que o comprimento seja igual à maior profundidade da piscina.

Conecte a mangueira-guia à mangueira de alimentação e conecte a mangueira à parede da piscina na linha de retorno. Estenda a mangueira até ao ponto mais afastado da piscina. A extremidade da mangueira deve ficar a 15 cm – um pouco mais comprida ou mais curta – do ponto mais afastado. Veja o círculo pontilhado.

Mangueira comprida demais? Separe a mangueira na articulação central. Corte montantes iguais do excesso de cada uma das secções da mangueira de 3 m.

Mangueira curta demais? Adquira uma secção de mangueira de alimentação adicional (peça nº 9-100-3104), uma articulação (peça nº D20) e duas porcas de mangueira (peça nº D15) através de um revendedor autorizado Polaris.

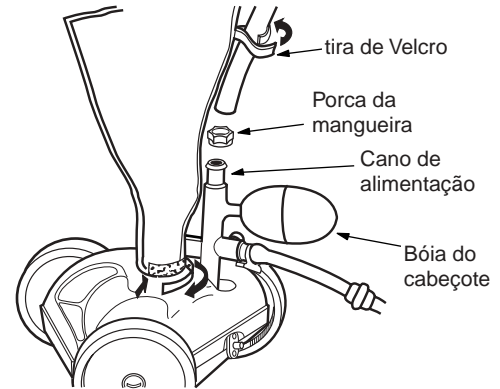
Após ajustar a mangueira, coloque as bóias como ilustrado.



3

Monte o aspirador

1. Use a porca para prender amangueira de alimentação ao cano de alimentação.
2. Retire o saco e prenda a tira de Velcro folgadoamente em volta do cano de alimentação.
3. Posicione a bóia do cabeçote a uma distância de 1,30 cm a 2,5 cm do cano de alimentação.
4. Ligue a bomba de filtração da piscina e aguarde que encha antes de ligar a bomba auxiliar.

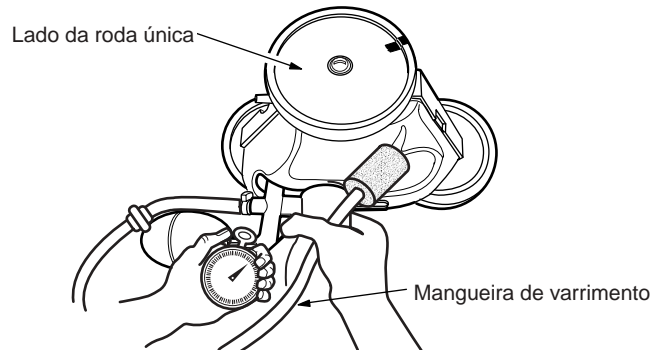


4

Verifique se a rotação da roda (rpm) está correcta

Antes de usar o Polaris, verifique se o ajuste de rotações por minuto (rpm) da roda está correcto. Para obter a máxima eficiência, o Polaris deve funcionar entre 28 e 32 rpm.

1. Marque a roda de um único lado.
2. Ligue a bomba, mantenha o aspirador submerso na água e conte as rotações da roda durante um minuto.
3. A velocidade ideal encontra-se entre 28 e 32 rpm.



Se a contagem for **inferior a 28 rpm**:

- Examine a porosidade do filtro na desconexão rápida para detectar a presença de detritos.
- Limpe o skimmer, o filtro e o cesto da bomba.
- Examine as mangueiras, conexões e articulações para detectar possíveis vazamentos.
- Retire o disco restritor azul da conexão universal de parede.
- Se for instalada uma válvula de passagem na bomba auxiliar ou na linha do aspirador, abra-a completamente para que a água possa fluir livremente para o Polaris.

Se a contagem for **superior a 32 RPM**:

- Desenrosque a válvula de alívio da pressão até atingir as RPM adequadas.
- Se for instalada uma válvula de passagem, proceda ao respectivo ajustamento para reduzir o fluxo de água para o aspirador.
- Substitua o disco restritor azul na conexão universal de parede com o disco restritor vermelho.

Regular o aspirador Polaris

O Polaris aspira, varre e escova as superfícies, aleatoriamente, de toda a piscina quando está a funcionar correctamente. A capacidade de escalar do Polaris depende do formato e do fluxo ou pressão de água da piscina. O Polaris escala melhor em piscinas sem ângulos ou curvas muito acentuados na transição entre o fundo e a parede da piscina.

Aproximadamente cada três minutos, o Polaris 180 entra no modo de recuo. Isto faz com que o Polaris se afaste de obstáculos na piscina.

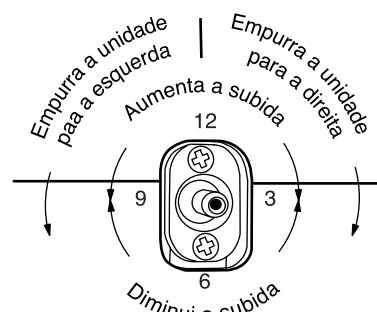
Ajuste do jacto de impulso

O jacto de impulso activa a direcção do Polaris. A posição definida de fábrica é a central mas, dependendo da configuração da piscina, podem-se adoptar outras posições mais adequadas.

Ajuste da mangueira do aspirador

A mangueira do aspirador deve ter um movimento de varredura suave. Para aumentar ou diminuir o seu movimento, desligue a bomba auxiliar e rode o parafuso de ajuste da mangueira de varredura.

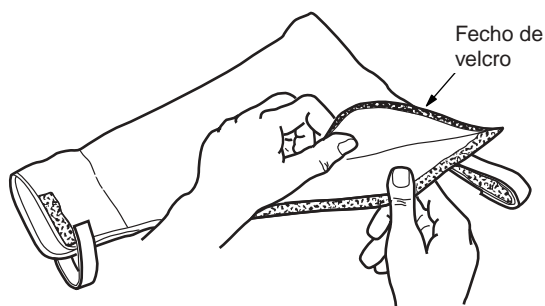
Consulte a secção "Identificação e solução de problemas" para se informar sobre outros tipos de ajuste.



Manutenção de rotina

Limpeza do saco do filtro

Desprenda o saco. Abra-o e deite fora os detritos.



- Sempre que possível, esvazie o saco do filtro quando estiver meio cheio, especialmente se o conteúdo for areia.
- É mais fácil esvaziar o saco do filtro quando seco. Use dois sacos de filtro alternadamente. Quando um ficar cheio, retire-o e coloque o saco limpo.

Retrolavagem do filtro da piscina

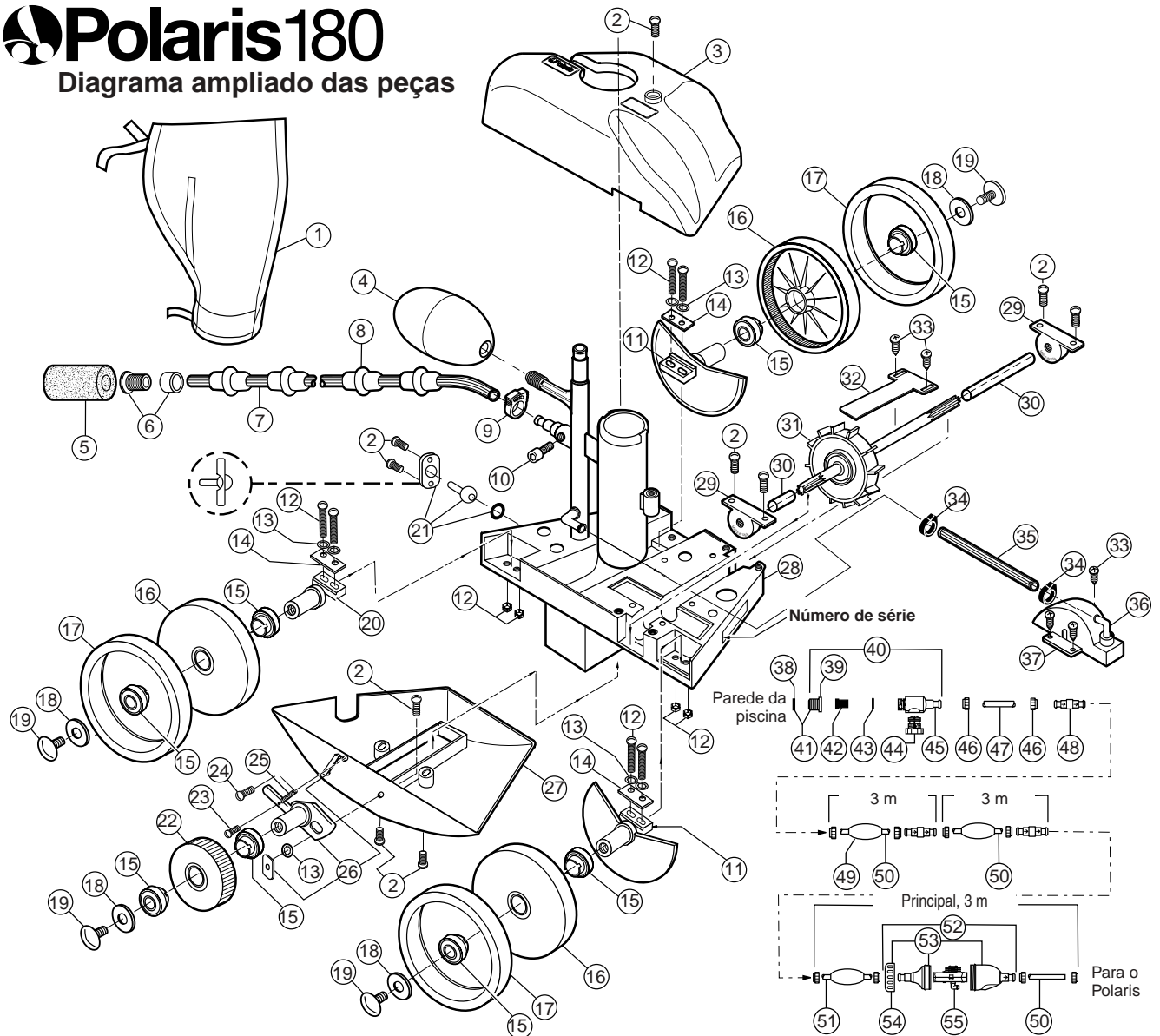
Ao limpar ou retrolavar o filtro da piscina, desconecte sempre o Polaris da parede da piscina. Depois de limpar ou retrolavar, deixe o sistema de filtro funcionar durante, pelo menos 5 minutos, a fim de purgar as linhas de retorno, antes de voltar a conectar o Polaris.

Armazenagem e preparação para o Inverno

Nunca guarde o Polaris sob luz solar directa. Quando proceder à armazenagem durante o período de Inverno, drene toda a água (os danos causados por congelamento não são cobertos pela garantia). Retire a conexão universal da parede da piscina ao ligar a desconexão rápida e aplicando pressão para dentro para desenroscar. Em alguns casos, pode ser necessário usar a ferramenta de remoção da conexão universal (peça nº 10-102-00), que pode ser adquirida em qualquer distribuidor Polaris.

Polaris 180

Diagrama ampliado das peças



No.	Peça no.	Descrição	Quant.	No.	Peça no.	Descrição	Quant.	No.	Peça no.	Descrição	Quant.
1	A16	Saco Multiuso*	1	18	C64	Anilha da Roda, Plástico	4	38	10-112-00	Discos Restritores	2
2	C40	Parafuso, 10-32 x 3/8 de pol	10	19	C55	Parafuso da Roda, Plástico	4	39	6-500-00	Conexão Universal de Parede (CUP)	1
3	A5	Topo	1	20	C65	Eixo, Grande (Apenas Roda Traseira)	1	40	9-100-9001	Unidade do Conector da CUP	1
4	A20	Bóia, Cabeçote	1	21	C131	Conjunto do Jacto Impulsor	1	41	10-108-00	Kit Restritor da CUP	1
5	9-100-3105	Esfregão da Mangueira de Varredura*	1	22	C16	Roda Intermediária, Pequena	1	42	6-504-00	Porosidade do Filtro, CUP/DR	1
6	B25	Ponta do Orifício c/Protecção da Ponta do Orifício	1	23	C30	Parafuso, 4-40 x 3/16 de pol.	1	43	6-505-00	Anel em O, CUP/DR	1
7	B5	Mangueira de Varredura Completa*1	1	24	C32	Parafuso, 6-32 x 0,5 de pol.	1	44	9-100-9002	Válvula de Alívio de Pressão, Preta	1
8	B10	Anilhas de Desgaste*	8	25	C25	Mola para C36	1	45	D29	Desconexão Rápida (DR), CUP	1
9	B15	Grampo de Fixação da Mangueira de Varredura	1	26	C36	Conjunto do Eixo Pendular	1	46	D15*	Porca, Mangueira de Alimentação	10
10	B20	Parafuso de Ajustamento, Mangueira de Varredura	1	27	A10	Base com Suporte	1	47	**	Mangueira de Adaptador, 21,6 cm	1
11	C66	Eixo, Grande (c/protecção contra areia fina/grossa)	2	28	C145	Estrutura	1	48	D20	Articulação, Rolamento de Esfera	3
12	C75	Parafuso/Porca, 10-32 x 7/8 de pol.6	6	29	C80	Rolamentos de Esferas, Turbina	2	49	D10	Bóia, Mangueira de Alimentação	9
13	C45	Anilha de Pressão para C36	7	30	C83	Tubos do Eixo da Turbina	1	50	D45	Mangueira de Alimentação, 3 m	2
14	C70	Placa do Eixo para C65/C66	3	31	C86	Unidade do Eixo de Transmissão	1	51	D50	Mangueira de Alimentação, principal, 3 m	1
15	C60	Rolamentos de Esferas, Rodas	8	32	A40	Protecção do Eixo da Turbina	1	52	G52	Kit da Válvula de Retrocesso	1
16	C6	Roda, Grande (Rolamentos Não Incl.)	3	33	A30	Parafuso, 10 x 1/2 de pol.	5	53	G54	Kit da Caixa para G52	1
17	C10	Pneu, MaxTrax®*	3	34	9-100-7170	Grampo da Mangueira para Sistema de Gestão da Água	2	54	G57	Aro, Válvula de Retrocesso	1
				35	C120	Mangueira para C110, 19 cm	1	55	G53	Mecanismo para G52	1
				36	C115	Cotovelo para C110 ou Tubo Mastro de Alimentação	2				
				37	C110	Cobertura da Turbina com Cotovelo	1				

* Os elementos sujeitos a desgaste não estão cobertos pela garantia.

Identificação e correcção de problemas

Se o aspirador Polaris apresentar frequentemente algumas das seguintes acções, é necessário fazer alguns ajustes para restabelecer o funcionamento correcto. Consulte o diagrama ampliado de peças para ver os números das peças indicados em parênteses.

Acção: Fica pendurado nos degraus ou em outros obstáculos por mais de 3 minutos.

- Solução:
1. Verifique a rotação (rpm) da roda.
 2. Verifique se a válvula de retrocesso (nº 52) está a funcionar.
 3. Ajuste o jacto de impulso (nº 21).
 4. Retire todas as ferragens desnecessárias da piscina ou instale o Kit de Protecção de Escada (encomende a peça nº G21 junto a um distribuidor Polaris).

Acção: O Polaris está lento, funcionando com menos força do que o normal.

- Solução:
1. Examine a porosidade do filtro (nº 42) na desconexão rápida (nº 45) e limpe, se necessário.
 2. Limpe o cesto do skimmer, o cesto da bomba e o filtro da piscina.
 3. Examine todas as mangueiras, conexões e articulações (nº 48) para detectar possíveis vazamentos que possam causar perda de pressão da água.
 4. Verifique a rotação (rpm) da roda.

Acção: O Polaris precipita-se por toda a piscina e/ou não entra em contacto com o fundo.

- Solução:
1. Verifique a rotação (rpm) da roda. Se superior a 32 rpm, desenrosque a válvula de alívio da pressão (nº 44) para reduzir o fluxo de água que vai ao aspirador.
 2. Verifique se o disco restritor azul está instalado na conexão universal de parede para reduzir o fluxo de água. Ou, instale o disco restritor vermelho para reduzir o fluxo de água ainda mais.
 3. Verifique se a válvula de retrocesso (nº 52) está a funcionar. Mantenha a válvula fora da água e observe o jacto. O jacto deverá activar e parar.

Acção: O Polaris não recua.

- Solução:
1. Verifique se a válvula de retrocesso (nº 52) está a funcionar.
 2. Verifique a rotação (rpm) da roda.
 3. Se o saco (nº 1) estiver cheio, esvazie-o.
 4. Se a bóia do cabeçote (nº 4) contiver água, substitua a bóia.
 5. Certifique-se de que a mangueira de alimentação está a flutuar.

Acção: O Polaris só se desvia numa direcção.

- Solução:
1. Ajuste o jacto de impulso (nº 21).
 2. Certifique-se de que a mangueira de alimentação está a flutuar.

Acção: **A mangueira de alimentação fica emaranhada.**

- Solução:
1. Meça a mangueira novamente para ver se corresponde ao comprimento adequado à configuração da piscina.
 2. Com o Polaris a funcionar, verifique se as articulações (nº 48) da mangueira e as respectivas conexões rodam livremente.
 3. Certifique-se de que a mangueira de alimentação está a flutuar.
 4. Com o Polaris desligado, gire cada uma das rodas. Todas as rodas devem rodar juntas.

Acção: **A mangueira do aspirador é aspirada para dentro do tubo.**

- Solução:
1. Certifique-se de que a abertura na extremidade da mangueira do aspirador (nº 7) não esteja bloqueada pela escova da mangueira do aspirador (nº 5).
 2. Ajuste a mangueira do aspirador (nº 7) para que oferecer um movimento de varredura suave.

Acção: **A mangueira do aspirador salpica água para fora da piscina constantemente.**

- Solução:
1. Regule a velocidade da mangueira do aspirador (nº 7) apertando o parafuso de ajuste.
 2. Substitua a escova da mangueira do aspirador (nº 5) se estiver gasta ou ausente.
 3. Coloque um peso na mangueira do aspirador (encomende a peça nº B2) para impedir que a mangueira do aspirador salpique água.

Acção: **O aspirador não limpa toda a piscina.**

- Solução:
1. Verifique se o comprimento da mangueira alcança até 15 cm do ponto mais distante da piscina.
 2. Verifique se o jacto de impulso se encontra na posição central a qual optimiza a rotação aleatória.
 3. Enquanto o aspirador estiver a funcionar, inverta-o, de baixo para cima, no tubo de aspiração. Deverá ser observado um jacto de água distinto e uniforme. Se tal não acontecer, contacte o Serviço de Assistência ao Cliente, ou um Centro de Serviço autorizado da Polaris para obter assistência.

Acção: **O aspirador gira em círculos sobre a sua parte lateral.**

- Solution
1. Verifique o saco do filtro; se estiver cheio pode estar a exercer peso sobre o aspirador, fazendo com que este se desequilibre sobre uma das partes laterais.
 2. Retire a bóia do cabeçote (nº 4) e sacuda-a. Se houver água na bóia, encomende uma nova.
 3. Examine as bóias da mangueira para se assegurar que se encontram espaçadas uniformemente.



EC DECLARATION OF CONFORMITY

Manufacturer The Products are manufactured and marked with **CE** by:

Polaris Pool Systems, Inc. ("Polaris")
2620 Commerce Way
Vista, CA 92081-8438 USA
Telephone: 760-599-9600
Facsimile: 760-597-1239
E-mail: polaris@polarispool.com

Products The Products Declared herein are:

Polaris Vac-Sweep® 180

Directives The Products are in conformity with the following Directives:

Machinery Safety Directive 98/37/EC

Specifications The Products also comply with the following international and harmonized domestic standards:

None. There are no known standards for swimming pool cleaning equipment.

Declaration

I hereby declare that the equipment named above has been designed to comply with the relevant sections of the above referenced specifications. The unit complies with all essential requirements of the directives. I declare under sole responsibility that the foregoing information is true and correct.

David Peterson

David Peterson, Vice President Engineering

12-Sep-02

Date



USA: 2620 Commerce Way, Vista, CA 92081-8438 • 760-599-9600 • 1-800-VAC-SWEEP (USA and Canada only)

Australia: Unit 4, 19-21 Gibbes Street, Chatswood, NSW 2067 • 02-9882-1111 • ACN 080 168 092

Europe: C/Osona s/n. (Pol. Ind. El Ramassar), 08520 Les Franqueses del Vallés, Barcelona, Spain • +34 93 840 25 85

www.polarispool.com