

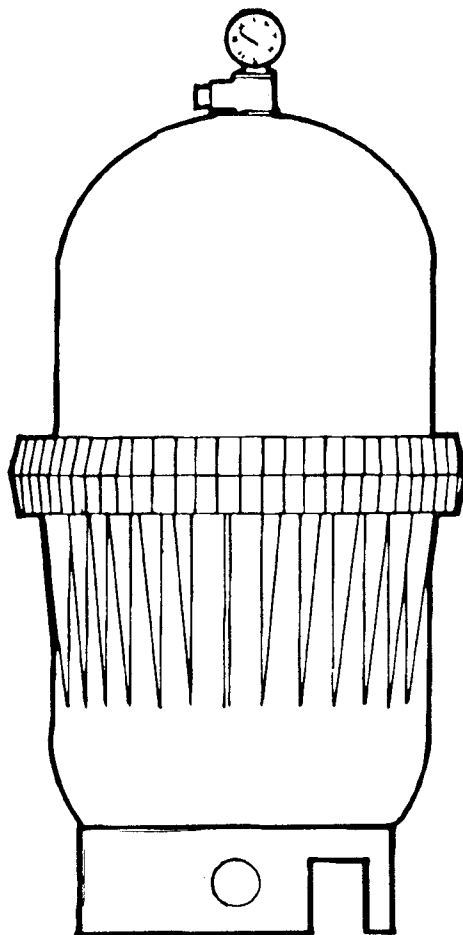
JACUZZI®

TRI-C.L.O.P.S. Element Filter

CLEAN LESS  FTEN PER SEASON

Owner's Manual

E-1512



install in the O-ring groove located just above the tank bottom threads.

7. Place tank top on tank bottom and make the tank seal by squeezing flanges together with your hands.
8. Install ring-Lok on tank bottom.
9. Tighten Ring-Lok down until threads reach "STOP".

FILTER START UP

1. Open air bleed valve.
2. Start pump.

REMOVING AND CLEANING FILTER ELEMENT

1. Cleaning is required when pressure gauge reading is approximately 10 PSI higher than the gauge reading when the filter was first installed.
2. Open air bleed valve.
3. Remove Ring-Lok.
4. Separate tank halves with Ring-Lok as follows:
 - a. Hold Ring-Lok in vertical position with one

READ AND FOLLOW THESE SAFETY INSTRUCTIONS:

INSPECT THE EQUIPMENT

Examine the equipment when received. Notify your dealer or carrier of any damage or missing parts. Verify that equipment is of size and model specified.

INSTALLATION LOCATION

Locate unit on a solid foundation as close to pool/spa as possible. Give consideration to drainage by moving away from equipment, having adequate ventilation and allow for easy access during service and winterizing.

PUMP SELECTION

A full line of pool/spa pumps are available for installation with these filters. For those installations where the equipment will be placed above the water level, a self priming pump should be selected. Ask your dealer to determine the proper size pump for your application. Consideration must be given to pipe size and distance from pool or spa and friction losses of associated equipment

GENERAL PLUMBING FOR SOLVENT WELD CONNECTIONS

Rigid or flexible PVC pipe may be used. Pipe ends should be clean and free of any debris caused by the cutting operation. Be sure that proper adhesive is used on the type of pipe specified

Recommended adhesives: (these are examples only and are not intended to restrict brands)

PVC-PVC Joint

Uni-Weld Pool Tile 2000

Suregard Flex 20

IPS Weld-On 705

PVC-ABS Joint

Uni-Weld Pool-Tile 2000

Suregard Weld-All No. 5

IPS Weld-On 794

Note: A primer will assure that adhesive joints are superior. Suregard P-3000 has a purple tracer to qualify in areas where codes specify a primer must be used.

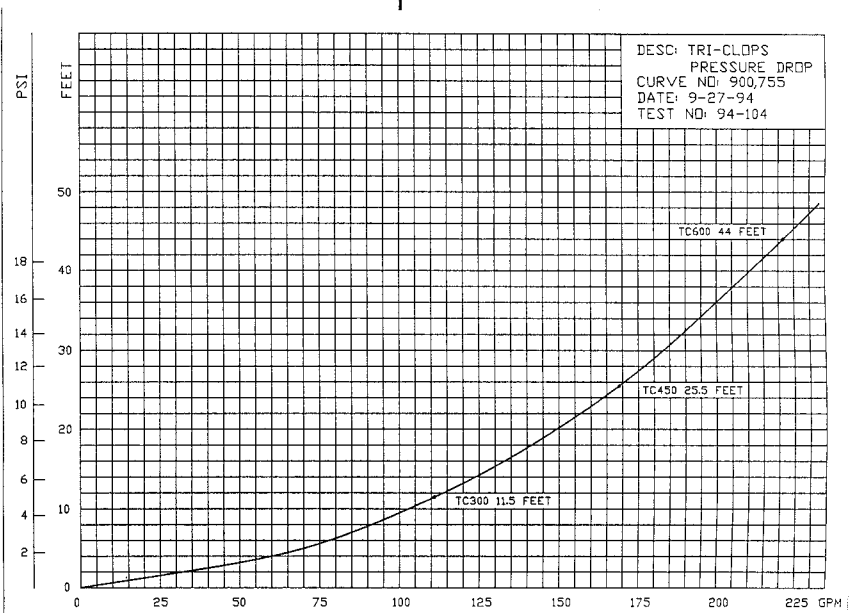
Caution: We recommend that you consider climatic conditions when applying adhesives. Certain atmospheric situations, such as high moisture content, make the adhesive action of certain glues less effective. Check the manufacturer's instructions.

FOR THREADED CONNECTIONS

Use only Teflon tape or equivalent on threaded plumbing connections. Other pipe compounds may damage threads. Do not use silicone or petroleum based compounds. **DO NOT OVERTIGHTEN-HAND TIGHTEN ONLY.**

FILTER PREPARATION

1. Carefully remove filter from carton and place in its permanent location.
2. Plumb as required for your installation. Seal threaded connections with enclosed plumbers tape or with thread seal compounds.
3. Remove air bleed valve, pressure gauge, 2" NPT plug, plumbers tape from hardware kit. Apply several wraps of the enclosed plumber's tape to the pressure gauge threads and install the gauge into the top of the air bleed valve being careful not to overtighten. Apply several wraps of the plumber's tape to the 2" NPT plug and install the plug into the waste port of the filter.
Note: The waste port and pump port are interchangeable, if this plumbing arrangement better suits the installation.
4. Install air bleed valve/pressure gauge assembly in top of filter and hand tighten only.
Note: Plumber's tape is not needed at this connection since the 1/2" I.D. O-ring seals the joint. Check to be sure that this O-ring is installed on the air bleed valve before you attach the valve to the filter top.
5. Remove Ring-Lok and tank top.
6. Remove 20" O-ring from sealed package and



PARTS DIAGRAM FOR MODEL TRI-C.L.O.P.S. ELEMENT FILTER TC-300, TC-450, & TC-600

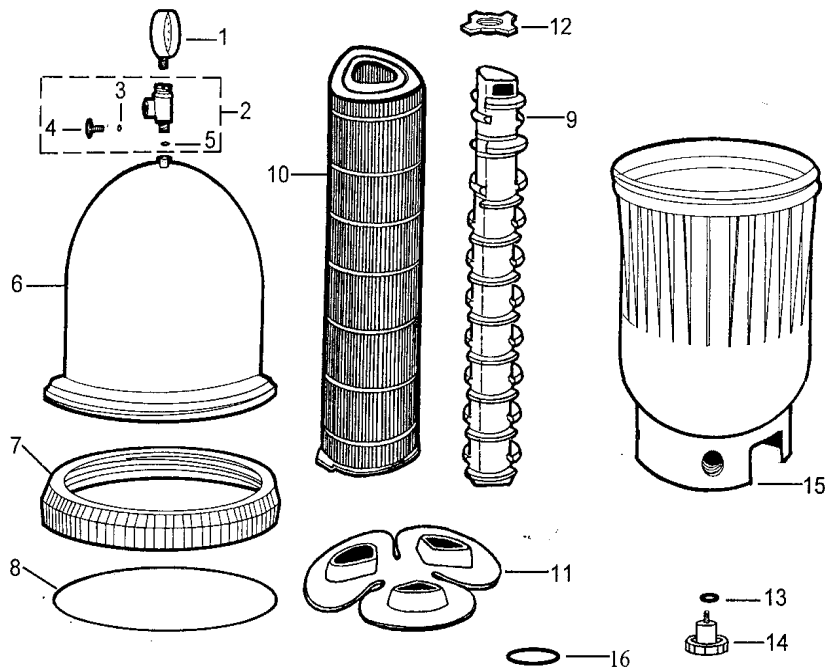


FIG. NO.	PART NO.	DESCRIPTION
1	9193-4158-R	Pressure Gauge 0-60#
2	42-2972-00-R	Tee Air Bleed 1/4-PVC (Assy. includes #3, #4, #5)
3	47-0106-08-R	O-ring 3/16 x 3/8 x 3/32 B-N
4	39-2547-01-R	Air Bleed Valve Knob-Poly
5	47-0112-00-R	O-ring 1/2 x 11/16 x 3/32 B-N
6	42-2930-01-R	TC Top 300 sq. ft.
	42-2931-00-R	TC Top 450 sq. ft.
	42-2932-09-R	TC Top 600 sw. ft.
7	42-2935-06-R	Nut TC Filter 11372 Alum.
8	47-0569-99-R	TC O-ring 20" x 1/2 Nitril
9	42-3637-05-R	TC-300 Standpipe Support Assy.
	42-3640-00-R	TC-450 Standpipe Support Assy.
	42-3643-07-R	TC-600 Standpipe Support Assy.
10	42-3640-10-R	Element, TC300-100 sq. ft. (3 per unit)
	42-3640-15-R	Element, TC450-150 sq. ft. (3 per unit)
	42-3640-20-R	Element, TC600-200 sq. ft. (3 per unit)
11	42-3652-05-R	TC Element manifold
12	14-4248-08-R	TC/EW Retainer Ring
13	47-0212-66-R	O-Ring .986 x 1.276 x .145 BN
14	42-3653-04-R	TC Manifold Thumb Screw
15	42-2934-07-R	TC Bottom 11371
16	47-0228-68-R	O-Ring 2-1/4 x 2-1/2 x 1/8 BN

LIMITED WARRANTY

Jacuzzi Bros. Division (JBD) warrants its new products to be free of defects in material and workmanship for a period of 1 year from date of installation or 3 years from date of manufacture, whichever comes first. Jacuzzi Bros. also provides additional warranty coverage on specific products as specified herein. This warranty applies only when products are used in swimming pool or spa applications.

All **TRI-C.L.O.P.S.** Filter tanks and their Ring-Loks carry an unconditional warranty to be free of defects in material and workmanship for a period of 5 years from date of installation or 6 years from date of manufacture, whichever comes first. Internal filter components and valves are warranted to be free of defects in material and workmanship for 1 year from date of installation.

JBD's warranty obligation with regard to equipment not of its own manufacture is limited to the warranty actually extended to JBD by its suppliers. Performance of equipment is further warranted to be in accordance with stated ratings when properly installed under normal conditions of operation.

This warranty extends only to the original retail purchaser and only during the time in which the original retail purchaser occupies the site where the product was originally installed.

Requests for service under this warranty shall be made by contacting the installing JBD dealer (point of purchase) as soon as possible after the discovery of any alleged defect. JBD will subsequently take corrective action as promptly as reasonably possible.

JBD at its discretion may replace or repair any product that fails under this warranty after inspection by an authorized company representative or after JBD has received the product at our factory. Replacement or repair cannot be made until after the product is inspected. All charges or expenses for freight to and from the factory, removal and reinstallation of the product, or installation of a replacement product are the responsibility of the purchaser.

THIS WARRANTY SUPERSEDES ANY WARRANTY NOT DATED OR BEARING AN EARLIER DATE. ANY IMPLIED WARRANTIES WHICH THE PURCHASER MAY HAVE, INCLUDING MERCHANTABILITY AND FITNESS FOR A PARTICULAR PURPOSE, SHALL NOT EXTEND BEYOND THE APPLICABLE WARRANTY PERIOD. Some states do not allow limitations on how long an implied warranty lasts, so the above limitation may not apply to you. IN NO EVENT SHALL JBD BE LIABLE FOR INCIDENTAL OR CONSEQUENTIAL DAMAGES. Some states do not allow the exclusion or limitation of incidental or consequential damages, so the above may not apply to you.

This warranty does not apply to any product which has been subjected to negligence, alteration, accident, abuse, misuse, improper installation, vandalism, civil disturbances, or acts of God. The only warranties authorized by JBD are those set forth herein. JBD does not authorize other persons to extend any warranties with respect to its products, nor will JBD assume liability for any unauthorized warranties made in connection with the sale of its products.

THIS WARRANTY GIVES YOU SPECIFIC LEGAL RIGHTS, AND YOU MAY ALSO HAVE OTHER RIGHTS WHICH MAY VARY FROM STATE TO STATE.