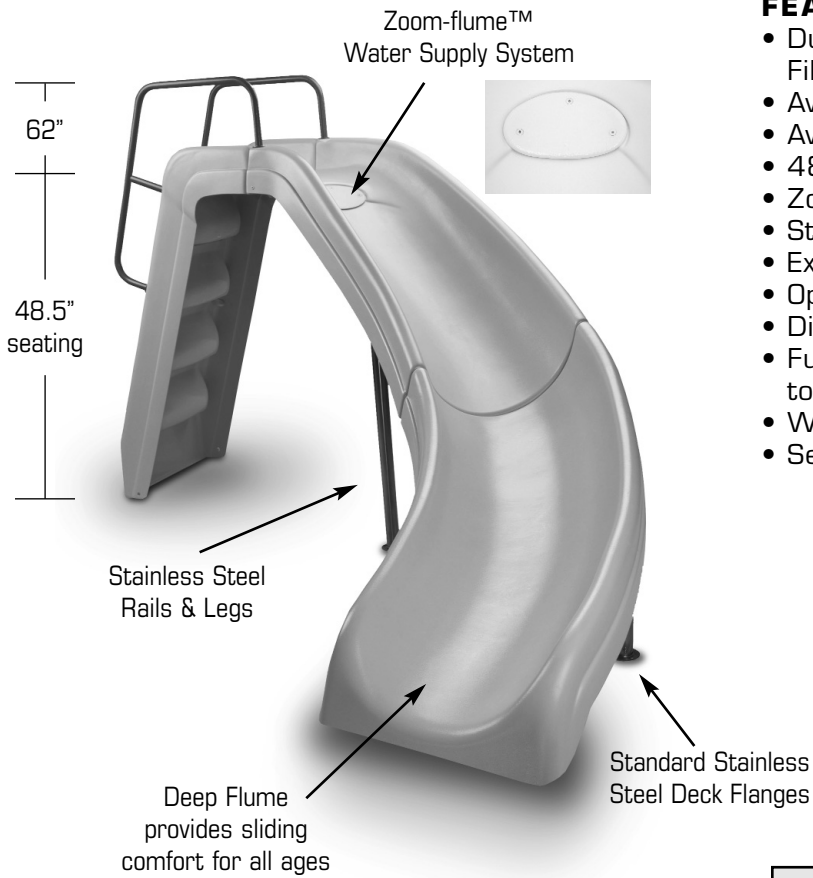


## WHITE WATER™ SLIDE:



### FEATURES:

- Durable & Long Lasting Acrylic With Fiberglass Reinforcements
- Available in White, Tan, Gray & Blue
- Available in Right or Left Turn
- 48.5" High at Seating Area
- Zoom-Flume™ Water Supply System
- Stainless Steel Rails, Legs & Hardware
- Exclusive Stainless Steel Deck Flanges
- Optional Powder Coated Rails
- Discretely Sits Below a 6' Privacy Fence
- Fully Molded Steps Provide Safe Access to Slide Flume
- Weight Limit = 250 Lbs.
- See Available Slide Colors on Pg. 27

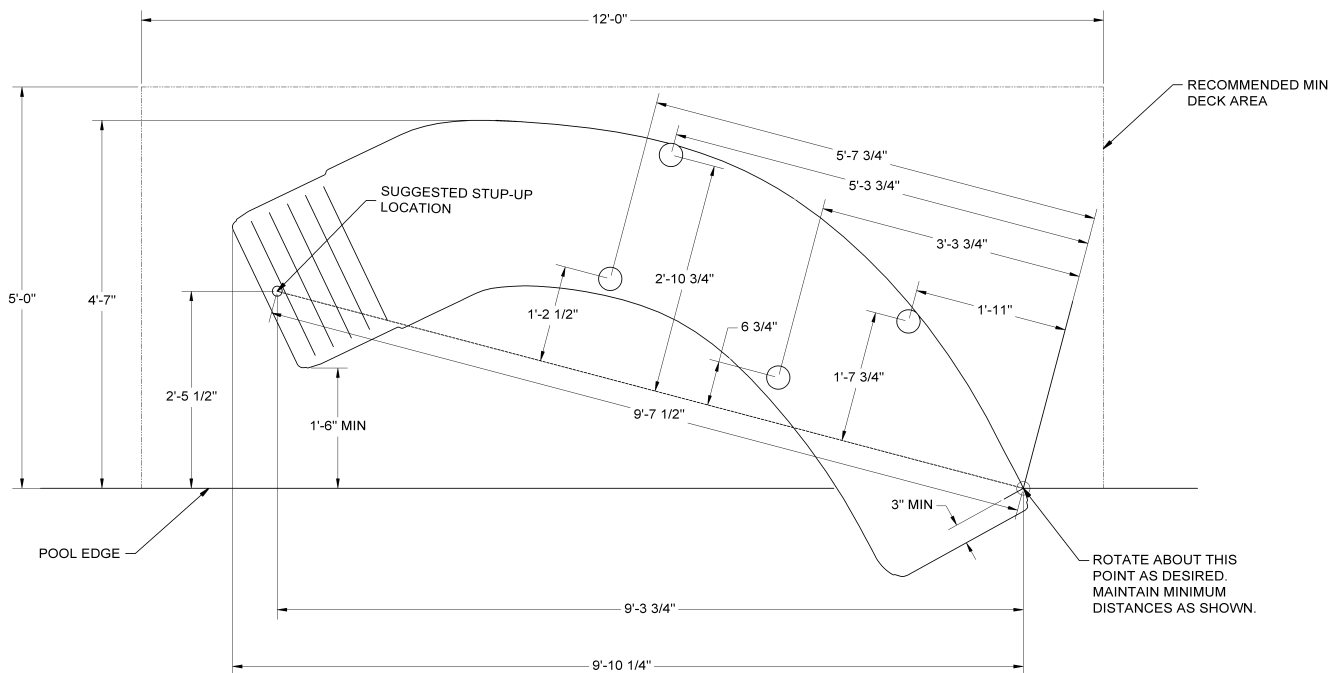
## WHITE WATER™ - RIGHT

DESCRIPTION	PART NUMBER
White Water Slide - right - wht	Part #WWS-CR-SS
White Water Slide - right - blue	Part #WWS-CRB-SS
White Water Slide - right - tan	Part #WWS-CRT-SS
White Water Slide - right - gray	Part #WWS-CRG-SS

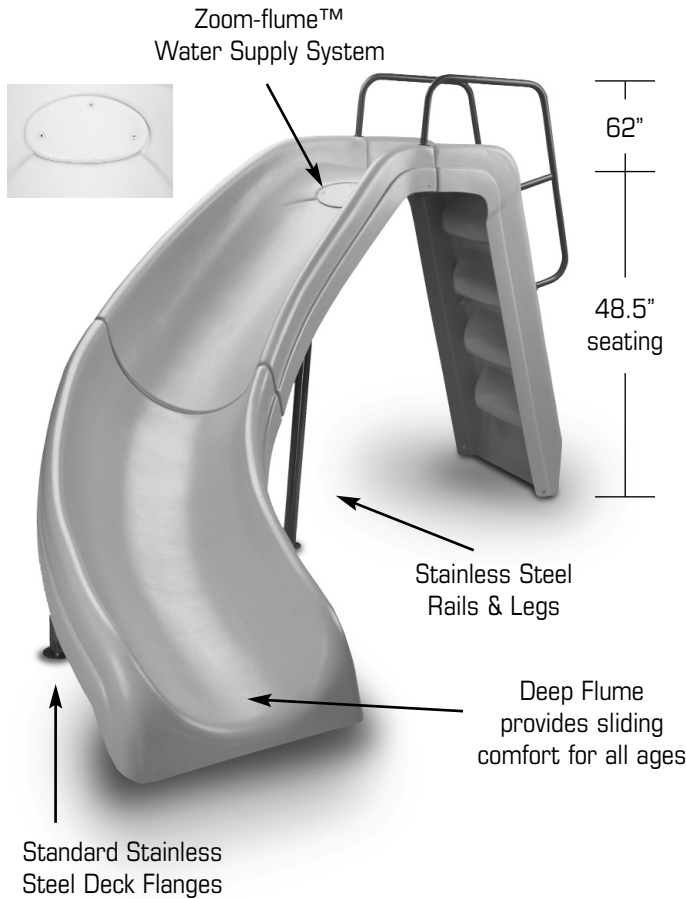
comes w/ss hardware  
w/powder coated handrails, add **-H**  
w/powder coated handrails, legs, & deck anchors, add **-A**

Custom Powder Coated Colors = White -1; Earth: -3;  
Copper Vein: -4; Hammertone Gray: -6; Light Gray: -9  
**(add custom color code behind part # when ordering)**

### White Water™ Footprint for RIGHT Turn Slide



## WHITE WATER™ SLIDE:



### FEATURES:

- Durable & Long Lasting Acrylic With Fiberglass Reinforcements
- Available in White, Tan, Gray & Blue
- Available in Right or Left Turn
- 48.5" High at Seating Area
- Zoom-Flume™ Water Supply System
- Stainless Steel Rails, Legs & Hardware
- Exclusive Stainless Steel Deck Flanges
- Optional Powder Coated Rails
- Discretely Sits Below a 6' Privacy Fence
- Fully Molded Steps Provide Safe Access to Slide Flume
- Weight Limit = 250 Lbs.
- See Available Slide Colors on Pg. 27

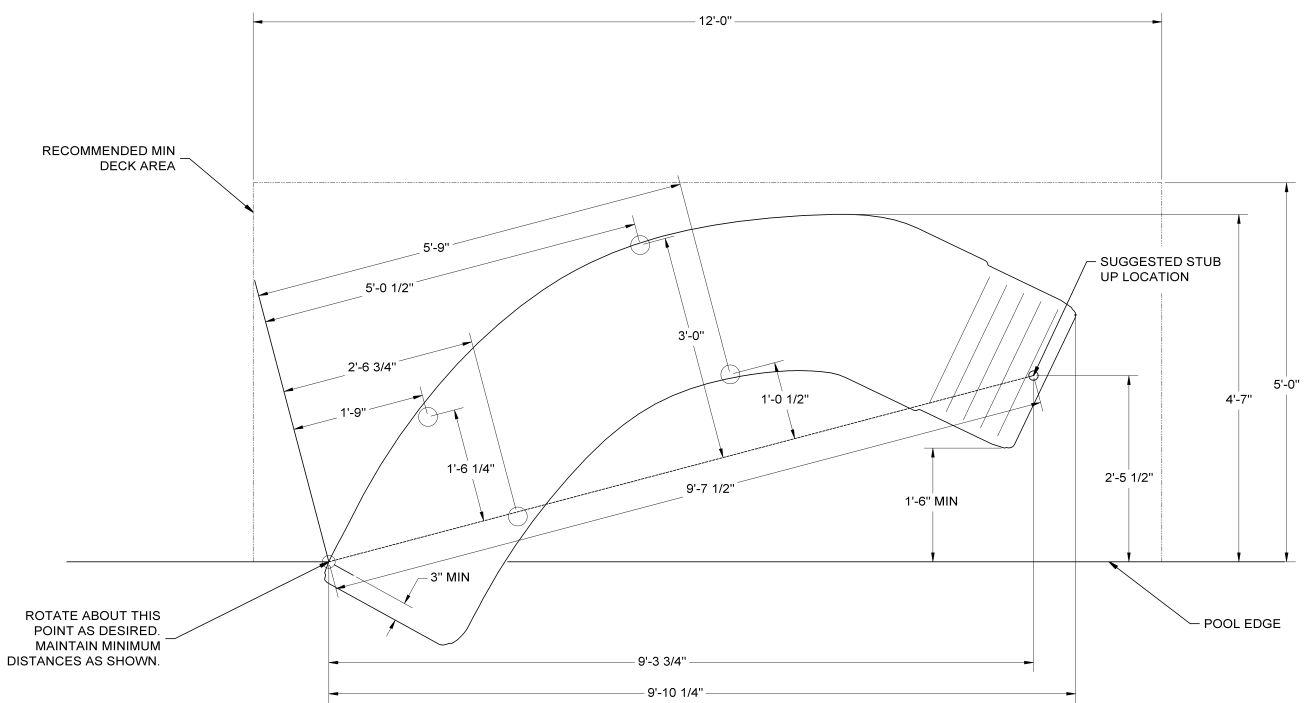
### WHITE WATER™ - LEFT

DESCRIPTION	PART NUMBER
White Water Slide - left - wht	Part #WWS-CL-SS
White Water Slide - left - blue	Part #WWS-CLB-SS
White Water Slide - left - tan	Part #WWS-CLT-SS
White Water Slide - left - gray	Part #WWS-CLG-SS

comes w/ss hardware  
w/powder coated handrails, add **-H**  
w/powder coated handrails, legs, & deck anchors, add **-A**

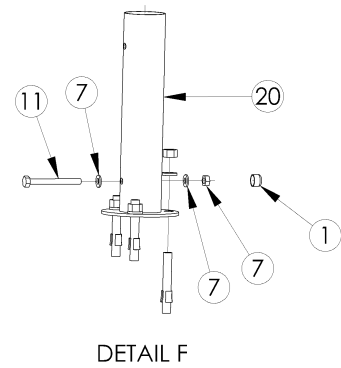
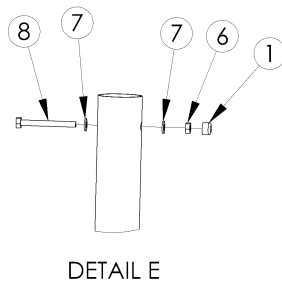
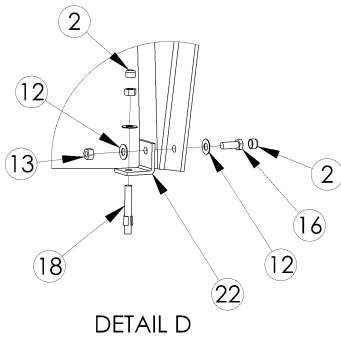
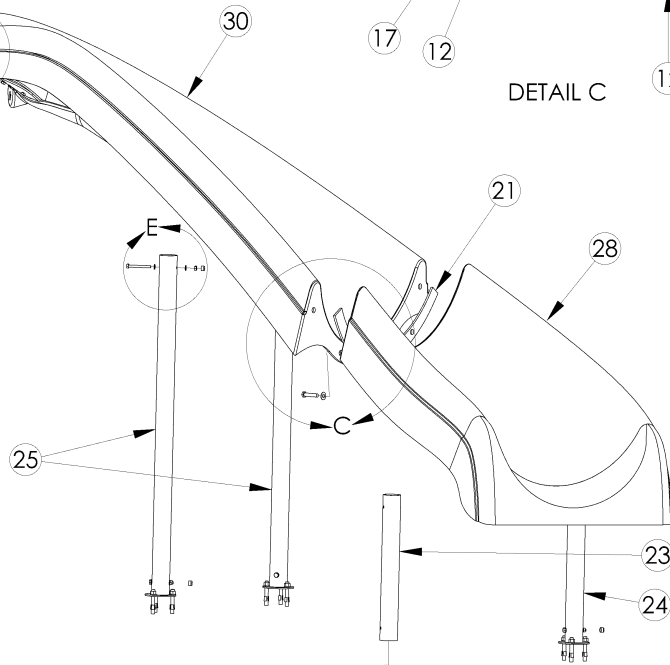
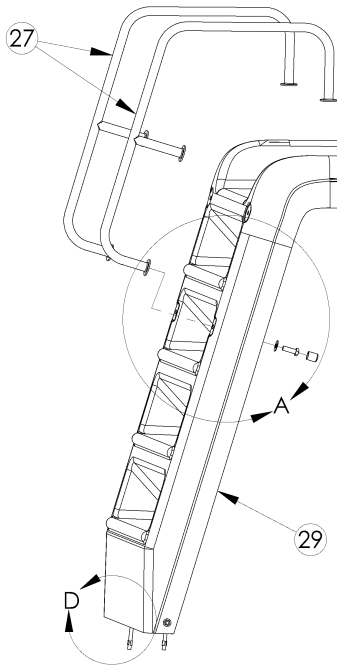
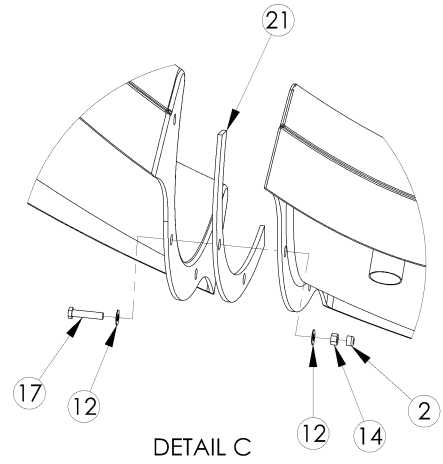
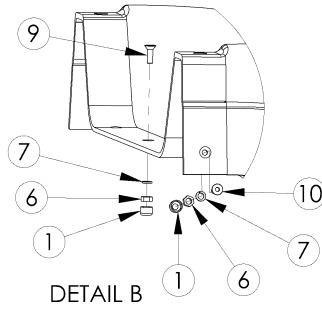
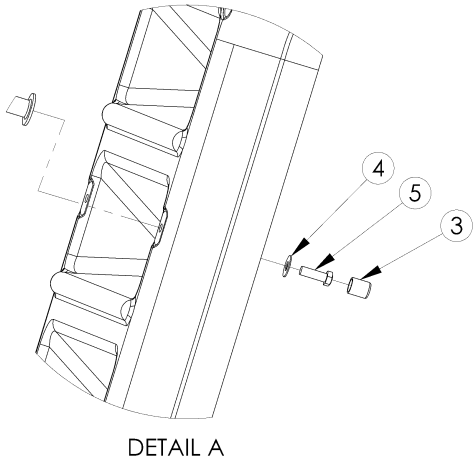
Custom Powder Coated Colors = White: -1; Earth: -3;  
Copper Vein: -4; Hammertone Gray: -6; Light Gray: -9  
**(add custom color code behind part # when ordering)**

### White Water™ Footprint for LEFT Turn Slide



# WHITE WATER™ SLIDE (WWS-CR-SS):

RESIDENTIAL SLIDES



# WHITE WATER™ SLIDE (WWS-CR-SS):

**ALL CHART INFORMATION BELOW CORRESPONDS WITH THE DRAWING ON THE PREVIOUS PAGE.**



DRAWING REPRESENTS THE FOLLOWING PART NUMBERS:	
WWS-CL-SS	WWS-CR-SS (shown)

ITEM #	COMPONENT	DESCRIPTION	HARDWARE KITS/PARTS KITS - QTY. COUNTS								
			SH-102	SH-103	SH-104	SH-105	SH-106	SH-107	SH-108	HOSE	WWS
1	H-.463 X .310 CAP	.463 X .310 PROTECTIVE CAP			25		1				
2	H-.562 X .390 CAP	.562 X .390 PROTECTIVE CAP			11		3				
3	H-1 WHT CAP	.750 X 1" GRAY NUT CAP			6						
4	H-SS 1/2 F WAS	1/2" FLAT WASHER S.S.				6					
5	H-SS 1/2-13 BOL	1/2" X 1-1/2" HEX HEAD BOLT S.S.				6					
6	H-SS 1/4 H NUT	1/4" FINISH HEX NUT S.S.	4			5	1				
7	H-SS 1/4 FLAT W	1/4" FLAT WASHER S.S.	8			5	1				
8	H-SS 1/4X2-1/4H	1/4" X 2-1/4" HEX HEAD BOLT S.S.	4								
9	H-SS 1/4 X 1-1/4 F	1/4-20 X 1-1/4" SOC FLAT C/S 1								3	
10	H-SS 1/4 FL HEAD	1/4-20 X 3/4" SOC FLAT C/S SS								2	
11	H-SS 1/4 X 2-1/4H	1/4-20X2-1/4" HH C/S SS					1				
12	H-SS 3/8 FLAT W	3/8" FLAT WASHER SS 18.8					3				
13	H-SS 3/8 H NUT	3/8" HEX NUT SS					3				
14	H-SS 3/8 F NUT	3/8" FINISH HEX NUT S.S.	4	2							
15	H-SS 3/8 FLT W	3/8" X 1" FLAT WASHER S.S.	8*	4*							
16	H-SS 3/8X1 H B	3/8" X 1" HEX HEAD BOLT S.S.		2							
17	H-SS 3/8X1-3/4	3/8" X 1-3/4" HEX HEAD BOLT S.S.	4								
18	H-SS 3/8 WEDGE	3/8" X 2-3/4" WEDGE ANCHOR, NUT & FLAT W S.S.		2			3				
19	H-1 BALL VALVE	BALL VALVE, 1" SLIP WHITE									1*
20	DECK ANCHOR	DECK ANCHOR, 9" STAINLESS STEEL							4		
21	H-WWS GASKET	GASKET, CLOSED CELL NEOPRENE SPONGE									1
22	L-BRACKET	L-BRACKET, LADDER ANCHOR, WHITE								2	
23	13" LEG	LEG 13"									1
24	16-3/4" LEG	LEG 16-3/4"									1
25	32-5/8" LEG	LEG 32-5/8"									2
26	H-1 SPA HOSE	PVC FLEX PIPE, 1" X 10'									1*
27	WWS-HR	WHITEWATER HANDRAIL									2
28	WWS-LRUN-W-R	WHITEWATER LOWER RUNWAY									1
29	WWS-STEP-W	WHITEWATER STEP WHITE									1
30	WWS-URUN-W-R	WHITEWATER UPPER RUNWAY									1

\* not pictured

### NOTES:

White Water slides available in both right and left turns.  
 White Water slides available with custom powder coated handrails and legs.

**RESIDENTIAL SLIDES**